



CBC (AMERICA) Corp.

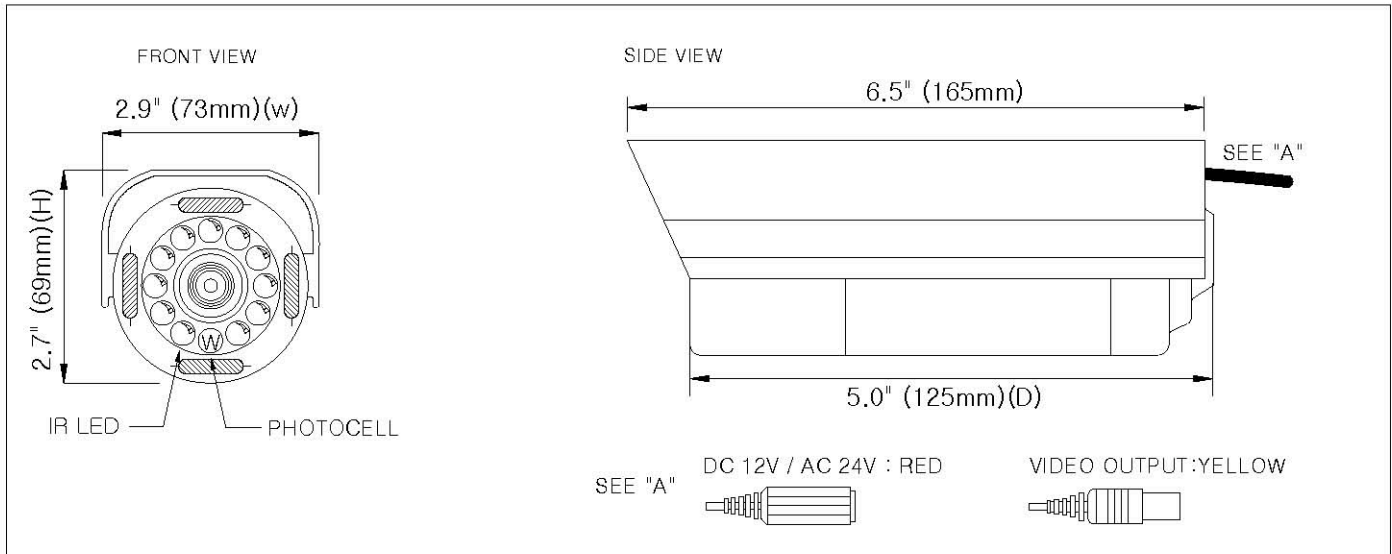
# COLOR WEATHERPROOF CAMERA DC AUTO IRIS VARIFOCAL LENS (3mm-9mm) BUILT-IN IR LED

NEW YORK : 55 MALL DRIVE, COMMACK, NY 11725, U.S.A  
TEL : (800)422-6707, (631)864-9700 .FAX : (631)543-5426

CALIFORNIA : 20521 EARL STREET, TORRANCE, CA 90503, U.S.A  
TEL : (800)888-0131, (310)793-1500 .FAX : (310)793-1506

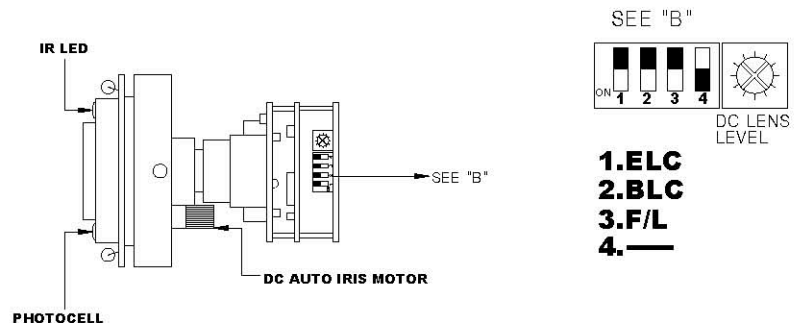
www.cbcamerica.com

## MODEL:BCH-IR39A



### GENERAL FEATURES

- .BUILT-IN IR LED
- .1/3 TYPE SUPER HAD CCD
- .LOW ILLUMINATION
- .HIGH RESOLUTION
- .BUILT IN BACK LIGHT COMPENSATION
- .DC VARIFOCAL LENS (3mm-9mm)
- .PRE-SET AUTO EXPOSURE SETTINGS
- .LOW SMEAR LEVEL
- .SERVICE MONITOR CONNECTOR
- .PHOTOCELL ACTIVATES IR LIGHTS AT NIGHT
- .DAY/NIGHT CAMERA SWITCHES TO B/W AT NIGHT



### SPECIFICATIONS

MODEL NO	BCH-IR39A
IMAGE SENSOR	1/3 TYPE SUPER HAD CCD
EFFECTIVE ELEMENTS	768(H) x 494(V)
TV SYSTEM	NTSC
SCANNING SYSTEM	2:1 INTERLACED
SYNC SYSTEM	INTERNAL SYNC
RESOLUTION	480 TV LINES
MINIMUM ILLUMINATION	0.00 lx (IR ON)
PHOTOCELL	PHOTOCONDUCTIVE CELLS 10 lx RESISTANCE 5~10KΩ
S/N RATIO	MORE THAN 50dB
GAMMA CHARACTERISTIC	0.45
VIDEO OUTPUT	1.0 Vp-p 75 Ω COMPOSITE
POWER SUPPLY	DC 12V / AC 24V
POWER CONSUMPTION	5.6W (DC 12V), 5.1W / 350mA (AC 24V)
LENS	DC AUTO IRIS VARIFOCAL LENS (3mm-9mm)
OPERATIONAL TEMPERATURE	-10 deg - +50 deg C RH95% MAX(14 deg F to 122 deg F)
STORAGE TEMPERATURE	-20 deg - +60 deg C RH95% MAX(-4 deg F to 140 deg F)
DIMENSIONS	W: 2.9"(73mm) H: 2.7"(69mm) D: 5.0"(125mm)
WEIGHT	570g

\* This device complies with Part 15 of the FCC Rules.Operation is subject to the following two conditions: (1) This device may not cause harmful interference, and(2) This device must accept any interference received,including interference that may cause undesired operation.