

H Series Housings



Instructions for Use

IMPORTANT SAFEGUARDS

1. Read Instructions - All the safety and operating instructions should be read before the unit is operated.
2. Retain Instructions - The safety and operating instructions should be retained for future reference.
3. Heed Warnings - All warnings on the unit and in the operating instructions should be adhered to.
4. Follow Instructions - All operating and use instructions should be followed.
5. Cleaning - Unplug the unit from the outlet before cleaning. Do not use liquid cleaners or aerosol cleaners. Use a damp cloth for cleaning.
6. Attachments - Do not use attachments not recommended by the product manufacturer as they may cause hazards.
7. Accessories - Do not place this unit on an unstable stand, tripod, bracket, or mount. The unit may fall, causing serious injury to a person and serious damage to the unit. Use only with a stand, tripod, bracket, or mount recommended by the manufacturer or sold with the product. Any mounting of the unit should follow the manufacturer's instructions and should use a mounting accessory recommended by the manufacturer.





An appliance and cart combination should be moved with care. Quick stops, excessive force, and uneven surfaces may cause the appliance and cart combination to overturn.

8. Ventilation - Openings in the enclosure, if any, are provided for ventilation, to ensure reliable operation of the unit, and to protect it from overheating. These openings must not be blocked or covered. This unit should not be placed in a built-in installation unless proper ventilation is provided or the manufacturer's instructions have been adhered to.
9. Power Sources - This unit should be operated only from the type of power source indicated on the marking label. If you are not sure of the type of power supply you plan to use, consult your appliance dealer or local power company. For units intended to operate from battery power or other sources, refer to the operating instructions.
10. Grounding or Polarization - This unit may be equipped with a polarized alternating-current line plug (a plug having one blade wider than the other). This plug will fit into the power outlet only one way. This is a safety feature. If you are unable to insert the plug fully into the outlet, try reversing the plug. If the plug should still fail to fit, contact your electrician to replace your obsolete outlet. Do not defeat the safety purpose of the polarized plug.
Alternately, this unit may be equipped with a 3-wire grounding-type plug, a plug having a third (grounding) pin. This plug will only fit into a grounding-type power outlet. This is a safety feature. If you are unable to insert the plug into the outlet, contact your electrician to replace your obsolete outlet. Do not defeat the safety purpose of the grounding-type plug.
11. Power Cord Protection - Power supply cords should be routed so that they are not likely to be walked on or pinched by items placed upon or against them, paying particular attention to cords and plugs, convenience receptacles, and the point where they exit from the appliance.

12. Power Lines - An outdoor system should not be located in the vicinity of overhead power lines or other electric light or power circuits or where it can fall into such power lines or circuits. When installing an outdoor system, extreme care should be taken to keep from touching such power lines or circuits as contact with them might be fatal. U.S.A. models only - refer to the National Electrical Code Article 820 regarding installation of CATV systems.
13. Overloading - Do not overload outlets and extension cords as this can result in a risk of fire or electric shock.
14. Object and Liquid Entry - Never push objects of any kind into this unit through openings, as they may touch dangerous voltage points or short out parts that could result in a fire or electric shock. Never spill liquid of any kind on the unit.
15. Servicing - Do not attempt to service this unit yourself as opening or removing covers may expose you to dangerous voltage or other hazards. Refer all servicing to qualified service personnel.
16. Damage Requiring Service - Unplug the unit from the outlet and refer servicing to qualified service personnel under the following conditions:
 - a. When the power supply cord or plug is damaged.
 - b. If liquid has been spilled or objects have fallen into the unit.
 - c. If the unit has been exposed to rain or water.
 - d. If the unit does not operate normally by following the operating instructions. Adjust only those controls that are covered by the operating instructions, as an improper adjustment of other controls may result in damage and will often require extensive work by a qualified technician to restore the unit to its normal operation.
 - e. If the unit has been dropped or the cabinet has been damaged.
 - f. When the unit exhibits a distinct change in performance--this indicates a need for service.
17. Replacement Parts - When replacement parts are required, be sure the service technician has used replacement parts specified by the manufacturer or have the same characteristics as the original part. Unauthorized substitutions may result in fire, electric shock, or other hazards.
18. Safety Check - Upon completion of any service or repairs to this unit, ask the service technician to perform safety checks to determine that the unit is in proper operating condition.
19. Coax Grounding - If an outside cable system is connected to the unit, be sure the cable system is grounded. U.S.A. models only--Section 810 of the National Electrical Code, ANSI/NFPA No.70-1981, provides information with respect to proper grounding of the mount and supporting structure, grounding of the coax to a discharge unit, size of grounding conductors, location of discharge unit, connection to grounding electrodes, and requirements for the grounding electrode.
20. Lightning - For added protection of this unit during a lightning storm, or when it is left unattended and unused for long periods of time, unplug it from the wall outlet and disconnect the cable system. This will prevent damage to the unit due to lightning and power line surges.

SAFETY PRECAUTIONS

	CAUTION RISK OF ELECTRIC SHOCK. DO NOT OPEN!	
CAUTION: TO REDUCE THE RISK OF ELECTRICAL SHOCK, DO NOT OPEN COVERS. NO USER SERVICEABLE PARTS INSIDE. REFER SERVICING TO QUALIFIED SERVICE PERSONNEL.		

This label may appear on the bottom of the unit due to space limitations.





The lightning flash with an arrowhead symbol within an equilateral triangle is intended to alert the user to the presence of uninsulated "dangerous voltage" within the product's enclosure that may be of sufficient magnitude to constitute a risk of electric shock to persons.



The exclamation point within an equilateral triangle is intended to alert the user to presence of important operating and maintenance (servicing) instructions in the literature accompanying the appliance.

SECURITE

	ATTENTION RISQUE D'ÉLECTROCUTION. NE PAS OUVRIR	
DANGER: POUR ÉVITER TOUT RISQUE D'ÉLECTROCUTION, NE PAS OUVRIR LE BOÎTIER. IL N'Y A PAS DE PIÈCES REMPLAÇABLES À L'INTÉRIEUR. POUR TOUTE RÉVISION, S'ADRESSER À UN TECHNICIEN SPÉCIALISÉ.		

En raison de limitation de place, cette étiquette peut être placée sur le dessous de l'appareil.



L'éclair fléché dans un triangle équilatéral, avertit l'utilisateur de la présence d'une "tension dangereuse" non isolée à l'intérieur de l'appareil et d'une valeur suffisante pour constituer un risque d'électrocution.



Le point d'exclamation contenu dans un triangle équilatéral, avertit l'utilisateur de la présence, dans la documentation qui accompagne l'appareil, de consignes d'utilisation et de maintenance importantes.

SICHERHEITSVORKEHRUNGEN

	VORSICHT STROMSCHLAGEGFAHR! BITTE NICHT ÖFFNEN!	
VORSICHT: UM EINEN ELEKTRISCHEN SCHLAG ZU VERMEIDEN, ABDECKUNG NICHT ENTFERNEN. WARTUNGEN ALLER ART QUALIFIZIERTEM PERSONAL ÜBERLASSEN.		

Aus Platzgründen kann diese Warnung auf der Unterseite des Gerätes angebracht sein.





Das Blitzsymbol im gleichseitigen Dreieck soll den Benutzer auf nicht isolierte "Hochspannung" im Gehäuse aufmerksam machen, die eventuell stark genug ist, um einen elektrischen Schlag zu verursachen.



Das Ausrufezeichen im gleichseitigen Dreieck soll den Benutzer auf wichtige Bedienungs- und Wartungsanleitungen in der dem Gerät beigelegten Literatur aufmerksam machen.

PRECAUCIONES DE SEGURIDAD

	PRECAUCION RIESGO DE CHOQUE ELECTRICO. ¡NO ABRIR!	
PRECAUCION: PARA REDUCIR EL RIESGO DE CHOQUE ELÉCTRICO, FAVOR NO ABRIR LA CUBIERTA. ESTE EQUIPO NO CONSTA DE PIEZAS O PARTES QUE REQUIEREN SERVICIO O MANTENIMIENTO. PARA REPARACIONES FAVOR REFERIRSE A UN TÉCNICO CALIFICADO.		

Debido a limitaciones de espacio, esta etiqueta puede aparecer en la parte inferior de la unidad.



El símbolo representado por un relámpago con punta de flecha dentro de un triángulo equilátero, se muestra con el objetivo de alertar al usuario que existen "voltajes peligrosos" sin aislamiento, dentro de la cubierta de la unidad. Dichos voltajes pueden ser de tal magnitud que constituyen un riesgo de choque eléctrico a personas.



El símbolo de exclamación dentro de un triángulo equilátero, se muestra con el objetivo de alertar al usuario de que instrucciones de operación y mantenimiento importantes acompañan al equipo.

CONTENTS

1	UNPACKING	4
2	ACCESSORIES	4
2.1	Sunshields	4
2.2	Tamper Proof Kit	4
3	SERVICE	4
4	CARE AND MAINTENANCE	4
5	DESCRIPTION	4
6	INSTALLATION	4
6.1	Model Designation	4
6.2	Maximum Camera/Lens Size	4
6.3	Tools Required	4
6.4	Cable Requirements	5
6.5	Housing Mounting	5
6.6	Cover Removal	5
6.7	Camera/Lens Installation	5
6.8	Camera/Lens Wiring	6
6.9	Video Coax Connection	7
6.10	Lens Wiring	7
6.11	Camera/Lens Adjustment	7
6.12	Final Assembly	7
6.13	Fuse Replacement	8
7	EXPLODED VIEW	8
7.1	Parts List	8

I UNPACKING

Unpack carefully. This is mechanical equipment and should be handled with care.

Check for the following:

- n Housing (with correct model number).
- n Hardware Kit - H-1 & H-2 Models:
 - 1 1/4-20 x 3/8-in Button Head Screw.
 - 2 1/4-20 x 1/2-in Button Head Screw.
 - 2 1/4-in Spring Washers.
 - 1 5/16-in Flat Washer.
 - 2 Fittings, 3/8-in NPT.
 - 2 Rubber Plug, 1/2-in NPT.
 - 1 Nut, 3/8-in NPT.
 - 2 Fittings, 1/2-in NPT.
 - 2 Nut, 1/2-in NPT.
 - 1 Spacer Block.

If an item appears to have been damaged in shipment, replace it properly in its carton and notify the shipper. If any items are missing, contact the company from which the unit was purchased.

The shipping carton is the safest container in which the unit may be transported. Save it for possible future use.

2 ACCESSORIES (Optional)

2.1 Sunshields

Provides protection from the direct rays of sun and promotes cooling to reduce internal housing temperatures. Strongly recommended for housing to be used outdoors.

SS1: For H-1 & H-2 Series Housings.

2.2 Tamperproof Kit

Contains tamper resistant screws and bit key to tamperproof up to five housings.

TPK 1: For all H Series Housings.

3 SERVICE

If the unit ever needs repair service or parts, the customer should contact the company from which the unit was purchased for authorization to return and shipping instructions.

4 CARE AND MAINTENANCE

Regularly scheduled maintenance will help prolong the operation life of this unit. Clean the viewing window as needed with a mild, nonabrasive detergent in water and a soft cloth.

5 DESCRIPTION

The H Series Housings are smart stylized housings for indoor and outdoor use. These housings meet customers' demands for an attractive housing that is both cost competitive and easy to install.

6 INSTALLATION

This installation should be made by qualified service personnel and conform to the National Electrical Code and applicable local codes.

6.1 Model Designation

Model No.	Description	Voltage	Use with Camera Models with These Voltage Ranges
H-1	Housing	-----	24 VAC or 12 VDC
H-2	Housing with heater ¹	24/23	24 VAC
H-3	Housing w/heater/blower	24/25	24 VAC

1. The heater operates at 24 VAC, 50/60 Hz and requires 15 W of power.

Do Not Exceed 30 VAC Input on 24 VAC models. Operation above 30 VAC violates low voltage operation (Class 2 Specifications). Normal operation is 24 VAC.

TUV Approved 24 VAC Models

Caution: Use an approved power supply incorporating reinforced insulation from primary to secondary to isolate unit from Mains.

6.2 Maximum Camera/Lens Size

H-1:	68 W x 54 H x 197 L mm (2.68 x 2.1 x 7.75 in)
H-2:	68 W x 54 H x 197 L mm (2.68 x 2.1 x 7.75 in)
H-3:	71 W x 71 H x 229 L mm (2.8 x 2.8 x 9)

6.3 Tools Required

- Small flat blade screwdriver.
- Phillips screwdriver (P2).
- Adjustable wrench.
- Wire cutter/stripper/crimper tool.
- 5/32-in (or 4 mm) hex wrench.

6.4 Cable Requirements

Video Transmission (Coaxial)

Cable Type:	RG-59/U for runs < 300 m (1000 ft). RG-11/U for runs < 600 m (2000 ft).
Cable Size:	Outside diameter between 4.6 mm (0.181-in) - 7.9 mm (0.312-in).
Cable Shape:	Round.
Shield:	≥ 93% Braided Copper Shield.
Center Conductor:	Stranded Copper Center.
DC Resistance:	≤ 15 Ohms/1000 (RG-59/U). ≤ 6 Ohms/1000 (RG-11/U).
Cable Impedance:	75 Ohm.
Agency Rating:	UL.
Environmental:	Outdoor rated.
Temperature Rating:	≥ 80 °C.
Sources:	Belden 9259. Belden 9238.

Input Power Cord - North American

Cable Type:	SJTOW-A rated.
Cable Size:	Outside diameter between 4.3 mm (0.170 in) - 11.9 mm (0.470 in).
Cable Shape:	Round.
Conductors:	3 conductor version and 2 conductor version.
Agency Rating:	UL/C.S.A., UL VW-1.
Environmental:	Outdoor rated.
Temperature Rating:	105 °C.
Voltage Rating:	300 V.
Sources:	Belden 19506. Belden 19509. Northwire 573939.

Input Power Cord - European

Cable Type:	H05RN-F3G0.75 and H05RN-F3G1.00.
Cable Size:	Outside diameter between 4.3 mm (0.170 in) - 11.9 mm (0.470 in).
Cable Shape:	Round.
Conductors:	3 conductor version and 2 conductor version.
Agency Rating:	VDE.
Environmental:	Outdoor rated.
Sources:	Olflex 1600252. Olflex 1600253.

Lens Control Cable

Cable Type:	Jacketed Multiconductor Cable.
Cable Size:	Outside diameter between 4.3 mm (0.170 in) - 11.9 mm (0.470 in).
Cable Shape:	Round.
Shield:	Overall shielding.
Conductors:	Stranded 20 to 16 AWG wire.
No. of Conductors:	4 and 8.
Conductor	
Insulation:	Color coded.
Sources:	Belden 9552. Belden 9554.

6.5 Housing Mounting

1. Use the two 1/4-20 x 0.50-inch screws and 1/4-in spring washers provided in the hardware kit to mount the housing to a mount or a pan/tilt. The spring washers must be used for the screws to thread properly.
2. The outer most set of 1/4-20 threaded holes are for mounting to feed-through mounts and the inner most 1/4-20 holes are for mounting to all other mounts and pan/tilts.

6.6 Cover Removal

1. Loosen the top two screws on the rear of the housing. These screws are captive and will not come out all the way. **Do not** remove the bottom two screws. See **Figure 1**.

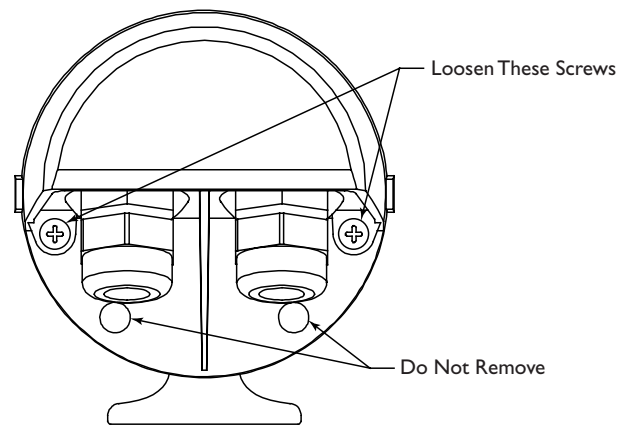


Figure 1: Loosening Captive Screws

2. Grasp the housing's front cap and pull forward. Do not squeeze the cover itself. This will make it difficult to slide off the cover. See **Figure 2**.

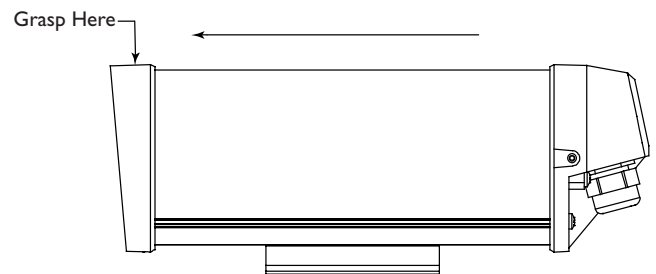


Figure 2: Removing the Cover

3. The cover is attached to the base. Allow the cover to dangle from the base.

6.7 Camera/Lens Installation

1. Loosen the two screws holding the camera bracket to the base. It is not necessary to remove them completely. See **Figure 3**.

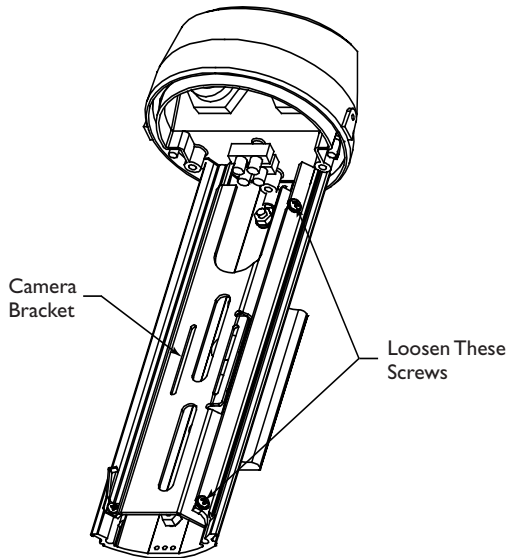


Figure 3: Removing the Camera Bracket

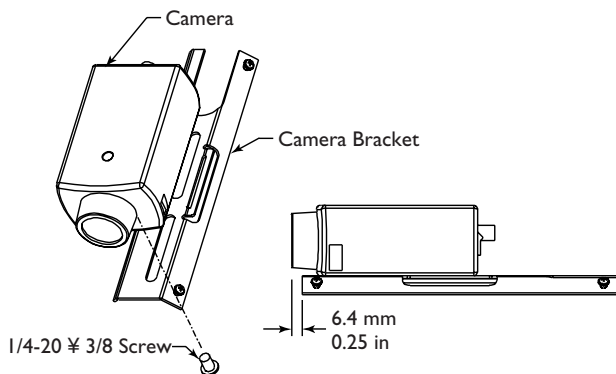
2. Remove the camera bracket from the base. If you are using the feed-through feature, refer to section 6.8.3 at this time.

Mounting fixed lens cameras in H Series Housings

3a. Attach the lens to the camera.

- 3b. Use the 1/4-20 x 3/8-inch screw to mount the camera to the camera bracket. The lens should extend approximately 6 mm (0.25-in) from the front of the camera bracket. See Figure 4.

Figure 4: Attaching the Camera



6.8 Camera/Lens Wiring

WARNING: Only use the cables specified under "INSTALLATION, Cable Requirements" for wiring of all cameras and lenses.

6.8.1 Fittings

1. The two large 1/2-in NPT fittings accept round cable with diameters from 4.3 mm (0.17-in) to 11.9 mm (0.47-in). The small fittings will accept cables with diameters from 4.6 mm (0.181-in) to 7.9 mm (0.312-in).

! Be sure to securely tighten all fittings to ensure a liquid-tight seal. Failure to do so could allow water to enter the housing and damage the camera and lens.

If a sealant is to be used, be sure it is a neutral cure type. Sealants that release acetic acid may harm camera electronics.

! Use of "drip loops" is recommended on the wiring outside of the rear end cap.

6.8.2 Conduit

These housings are designed to allow conduit to be directly connected.

1. Remove the rear fittings and attach the conduit and conduit fittings directly to the housing rear cap. The holes accept 1/2-in conduit fittings and PG 13.5 conduit fittings. Any unused holes can be covered using the plugs provided in the hardware kit.

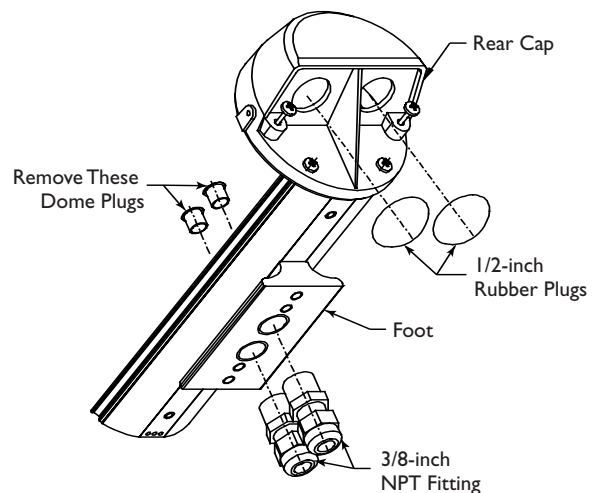
6.8.3 Feed-through Wiring

These housings have the capability of having the cabling feed through the foot of the housing. This requires the use of feed-through mounts like the WB-1, WB-2, & JB-1.

1. Prior to mounting the camera. Remove the two dome plugs located inside the housing. See Figure 5.

Figure 5: Feed-through Wiring

2. Screw the two 3/8-in NPT fittings into the foot of the housing.
3. Pull the cabling through the fittings and into the housing. Tighten the fitting to 4.0 N-m to 4.5 N-m (35 in-lb to 40 in-lb). This torque rating is approximately 1 to 1 1/2 turns past the point the fitting starts to grip the wire. Failure to do so will result in water damage to all electronic parts.



4. Attach top bracket of the mount to the foot of the housing.
5. Cover the holes in the rear cap with the rubber plugs provided. Push in until flush and then release.

6.8.4 Power Connections

Power connection into the housings is to be supplied through a minimum type UL Standard "SJ" cord acceptable for outdoor use. Installation must conform to acceptable NEC and local codes. For 24 volt cameras, use the chart below for selecting the proper wire size.

Recommended Maximum Cable Lengths for Housings Equipped with 24 Volt Cameras, Heaters, and Blowers

Wire Size mm ²	AWG	Housing meters	Distance feet
0,5	20	28.6	94
1	18	45.7	150
1,5	16	70.1	230
2,5	14	115.5	379
4	12	183.8	603
6	10	292.6	960
10	8	464.2	1523

Note: The use of wire sizes larger than 1,5 mm² (14 AWG) will require a splice in order to accommodate the terminal block.

1. Install one of the large 1/2-in NPT fittings into one of the holes in the rear cap. The terminal block side is preferable. If you are using the feed-through option, ignore this step.
2. Route the power cable through the fitting in the rear cap or one of the feed-through fittings in the foot.
3. The terminal block provided on H-1 & H-2 units accepts wire ranging from 20 to 14AWG or 1.5 mm². The terminal block provided on /H-3 units accepts wire ranging from 18 to 12AWG or 2.5 mm². When using larger wire sizes, splice to a smaller size wire at the terminal block end. The splice may need to be enclosed in a junction box if it does not pass through the fittings.
4. On heater and heater/blower units, make sure the heater and fan wires stay connected to the terminal.
5. A screw/terminal lug is provided for securing a safety ground. To attach the safety grounding wire (green 115 volt, green/yellow 230 volt), first unscrew the terminal lug and strip and crimp the grounding wire into the lug. Attach the terminal lug to the bracket using the M4 x 10 screw provided (H-1 & H-2 models use an M4 Nut to screw the lug to the base). See Figure 6.

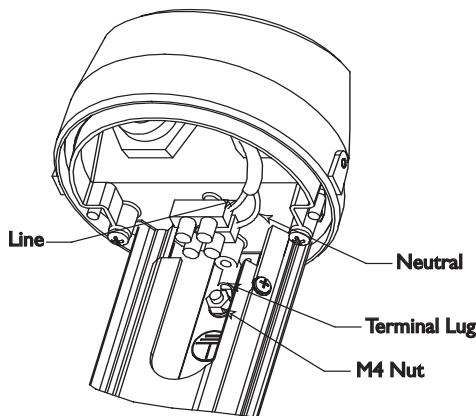


Figure 6: Power Connections - Nonfan units

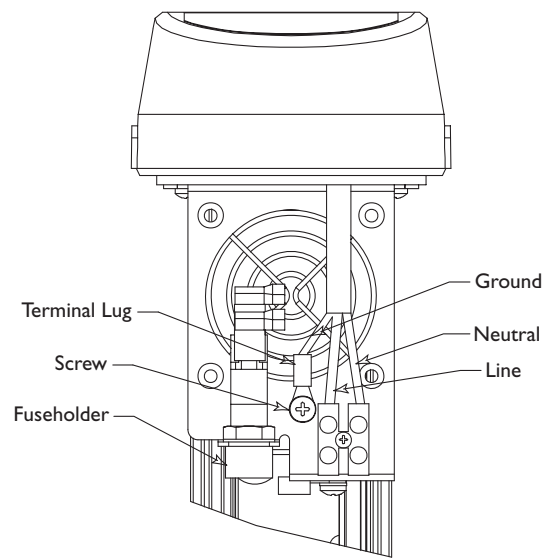


Figure 7: Power Connections - Fan Units

Be sure to securely tighten all fittings to ensure a liquid-tight seal. Failure to do so could allow water to enter the housing and damage the camera and lens.

6.9 Video Coax Connection



WARNING: Only use the cables specified under "INSTALLATION, Cable Requirements" for wiring of the video coax connection.

1. Install a 1/2-in NPT fitting into the remaining hole in the rear cap.
2. Route the video coax cable through one of the fittings installed in step 1 or one of the feed-through fittings in the base.
3. Attach BNC connector to the coax and connect it to the camera. Pull excess wire out of the housing and tighten the fitting to 8.5 N-m to 9.0 N-m (75 in-lb to 80 in-lb). This torque rating is approximately 1 to 1 1/2 turns past the point the fittings starts to grip the wire. Failure to do so will result in water damage to the electronic parts.

Be sure to securely tighten all fittings to ensure a liquid-tight seal. Failure to do so could allow water to enter the housing and damage the camera and lens.

Use of "drip loops" is recommended on the wiring outside of the rear end cap.

6.10 Lens Wiring




WARNING: Only use the cables specified under "INSTALLATION, Cable Requirements" for wiring of the lens.


Use of "drip loops" is recommended on the wiring outside of the rear end cap.

1. Install the last 1/2-inch NPT fitting into the remaining hole in the rear cap. Zoom lenses can only be installed into H-3 housings.

2. If installing a zoom lens, insert the lens control cable through the last fitting at the rear of the housing. Attach the lens wiring to the lens mating connector and connect it to the lens. If mating connector is not available, connect directly to the lens cable. Pull any excess wire out of the housing and tighten the fitting to 8.5 N·m to 9.0 N·m (75 in·lb to 80 in·lb). This torque rating is approximately 1 to 1-1/2 turns past the point where the fitting starts to grip the wire. Failure to do so will result in water damage to all electronic parts.

NOTE: See specification on lens cord for correct plug connection.

 Be sure to securely tighten all fittings to ensure a liquid-tight seal. Failure to do so could allow water to enter the housing and damage the camera and lens.

 Use of "drip loops" is recommended on the wiring outside of the rear end cap.

6.11 Camera/Lens Adjustment

1. Verify camera and lens operation before final assembly of the cradle into the housing. Adjust the camera focus and iris as necessary. See individual camera instructions.

6.12 Final Assembly

1. Use the plugs or fittings provided to plug any remaining holes in the rear cap.
2. Reinstall the cover. Align the bottom of the cover ribs with the top of the base. Slide the cover onto the base. Make sure the seal is not folded over or torn. Use silicone grease to lubricate the seals if necessary. See Figure 8.

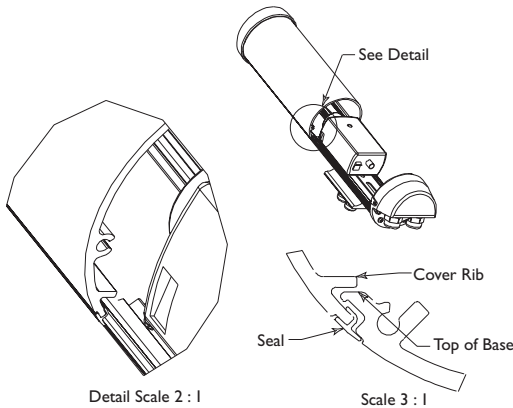
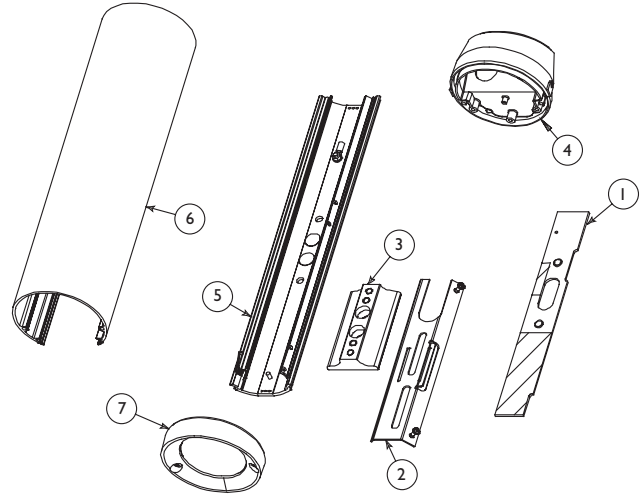


Figure 8: Reinstalling the Cover

3. As the cover nears the rear cap, make sure the captive screws in the back are not blocking the cover from engaging into the rear cap.
4. Screw the two rear captive screws into the housing.

6.13 Fuse Replacement

1. To replace a fuse, take a flat blade screw driver and twist the top of the fuseholder counter clockwise about a/ of a turn. The fuse is spring loaded so it will eject.
2. Replace the fuse with a fuse that has the same current rating. The fuse is a 5x20 mm slow blow cartridge type fuse. Recommend using Littelfuse series 218.



7 EXPLODED VIEW

7.1 Ref No.	Parts List Drawing Number	Part Description
1	LTC 9480/20HTR	24VAC Heater Kit
2	315 3142 001	Camera Bracket Kit
3	315 3143 001	Foot Kit
6	315 3146 002	Rearcap Kit
7	315 3147 001	Base Kit
8	315 3148 004	Cover Kit
9	315 3149 001	Frontcap Kit
-	315 3062 001	Hardware Kit



CBC (AMERICA) Corp.

©2002 CBC (America) Corp.

New York: 55 Mall Drive, Commack, NY 11725 Tel: 800 422 6707 or 631 864 9700 Fax: 631 543 5426

California: 20521 Earl Street, Torrance, CA 90503 Tel: 800 888 0131 or 310 793 1500 Fax: 310 793 1506

www.cbcamerica.com

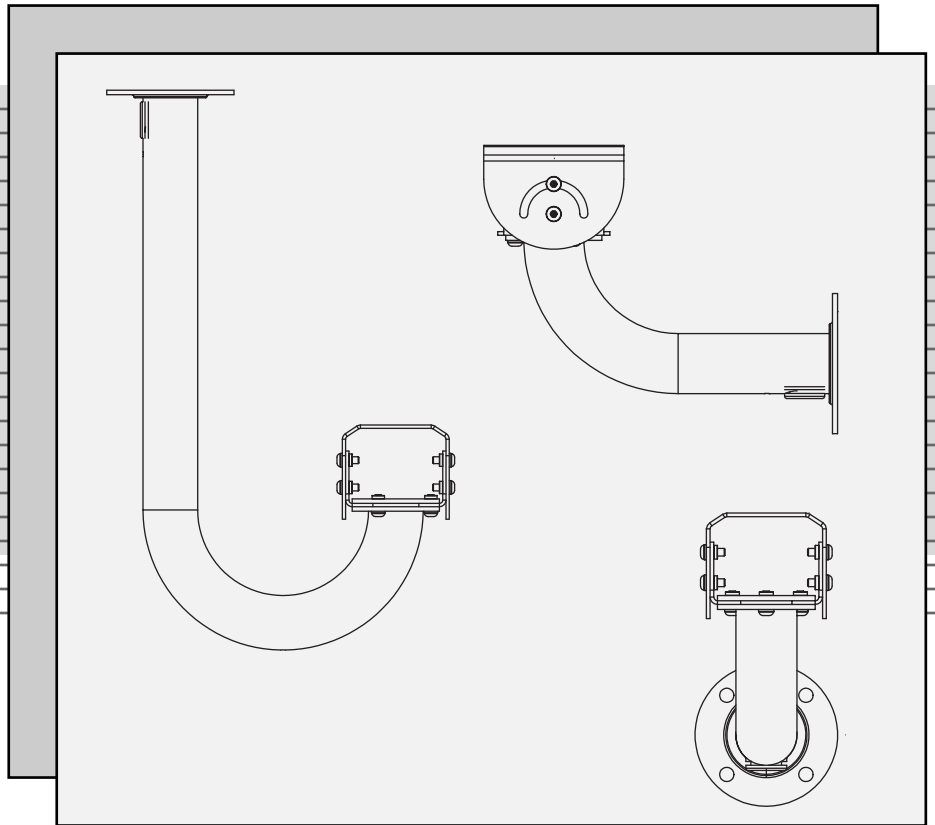
Data subject to change without notice

100_0058_002 CBC

Printed in USA

WB-1, JB-1, PMA-1 Feed-through Mounts & Accessories

Instructions for Use



CBC (AMERICA) Corp.

SAFETY PRECAUTIONS



The exclamation point within an equilateral triangle is intended to alert the user to presence of important operating and maintenance (servicing) instructions in the literature accompanying the appliance.

SECURITE

Le point d'exclamation à l'intérieur d'un triangle équilatéral avertit l'utilisateur de la présence d'instructions importantes d'utilisation et de maintenance dans la documentation accompagnant l'appareil.



SICHERHEITSVORKEHRUNGEN

Das Ausrufezeichen in dem gleichseitigen Dreieck ist dazu da, den Benutzer auf wichtige Inbetriebnahme- und Instandhaltungs-vorschriften hinzuweisen, die dem Gerät in Form einer Broschüre beigelegt sind.



PRECAUCIONES DE SEGURIDAD



El símbolo de exclamación dentro de un triángulo equilateral, se muestra con el objetivo de alertar al usuario de que instrucciones de operación y mantenimiento importantes acompañan al equipo.

1 UNPACKING

Unpack carefully. This is mechanical equipment and should be handled with care.

Check for the following items:

- a. Verify the unit model number.
- a. Instructions for Use.

If an item appears to have been damaged in shipment, replace it properly in its carton and notify the shipper. If any items are missing, contact the company from which the unit was purchased.

The shipping carton is the safest container in which the unit may be transported. Save it for possible future use.

2 SERVICE

If the unit ever needs repair service, the customer should contact the company from which the unit was purchased for authorization to return and shipping instructions.

3 DESCRIPTION

WBI 18-cm (7-in) and JBI 40-cm (15-in) Feed-through Mounts.

This indoor/outdoor mounting equipment is designed for fixed camera or camera housing installations up to 9 kg (20 lb) rated load. These models are made of lightweight aluminum and feature welded construction, providing an extremely rigid camera mount. These brackets have been specifically designed for the HI & H2 series housings. All mounts come fully assembled.

4 INSTALLATION

4.1 WB-1, JB-1

1. Determine a secure wall mounting location.



WARNING: All mounts are designed to support a load only in a vertical direction. Mounts **MUST** be positioned as shown under SPECIFICATIONS.

2.



Cautions:

- a. For a secure installation, use four 8-mm (5/16-in) diameter fasteners (not included). Use stainless steel or zinc plated fasteners.
 - b. If bolts are used, they should extend through the mounting surface and be secured with flat washers, lock washers, and nuts on the opposite side. Each bolt must have a minimum pull-out strength of 200 kg (450 lb).
 - c. If studs are used, they should be anchored in concrete or welded to a steel backer plate. Each stud must have a minimum pull out strength of 200 kg (450 lb).
 - d. If the wall mount is attached to wood or to a blind structure (with no access to the rear), each fastener must have a minimum pull-out strength of at least 200 kg (450 lb).
3. Locate the four holes or stud locations using the flange as a template (four holes equally spaced on a 69.9-mm (2-3/4-in bolt circle).
 4. Feed wires through the large hole in the flange or through the slot on the surface where the camera housing mounts.
 5. Install the mount using bolts or studs at least 8-mm (5/16-in) in diameter.
 6. To mount the camera or camera housing:
 - a. Mount camera with a 1/4-20 bolt and lock washer (not furnished) in the center hole of the adjustable head.
 - b. Mount housings with three 1/4-20 bolts and lock washers (not furnished).
 - c. Lock mount head in position by using the supplied 1/8-inch long-arm hex wrench to tighten screws.

4.2 PMA-1 Pole mount Adapter

1. Tools required

8mm Hex Wrench
Banding Tool (PMA-I recommended)

2. Mounting

1. Attach the bracket to the pole at the desired height using the two straps and two buckles provided.
2. Tension the straps according to the instructions for the banding tool. BAND-IT, Banding tool is recommended and may be purchased separately. A BAND-IT Tool Instruction Chart is provided with each pole mount. Figure 1. shows how the ends of the bands are bent around the buckle.

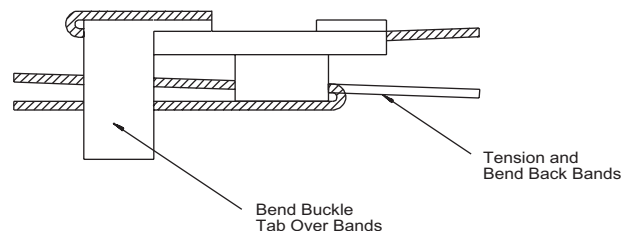


Figure 1: Banding Method

- Secure the wall mount to the pole mount using the four (4) 8mm screws and lock washers provided.

WB-I uses 8mm screws

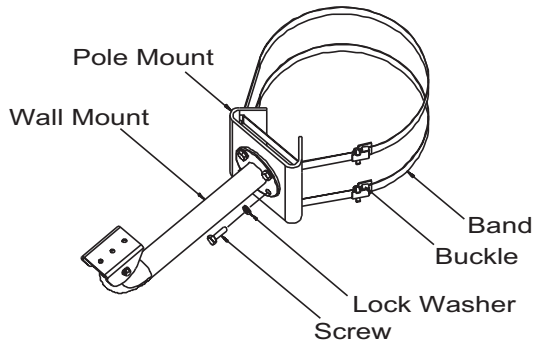
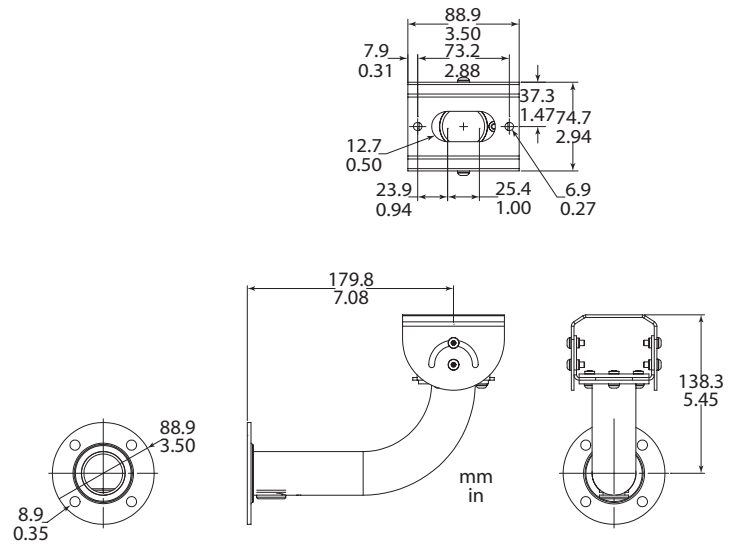


Figure 2: Securing Model PMA-I



5 SPECIFICATIONS

5.1 WB1 18-cm (7-in) Indoor/Outdoor Feed-through Mount

Maximum Load: 9 kg (20 lb).

Mounting Head: Adjustable. 360° pan, 180° tilt.

Finish: Dark mushroom.

Approx. Weight: 0.3 kg (0.7 lb).

WARNING: All mounts must be mounted as shown.

WARNING: All mounts must be mounted as shown.

5.2 JB1 40-cm (15-in) Indoor/Outdoor Feed-through J-mount

Maximum Load: 9 kg (20 lb).

Mounting Head: Adjustable. 360° pan, 180° tilt.

Finish: Dark mushroom.

Approx. Weight: 0.55 kg (1.2 lb).

WARNING: All mounts must be mounted as shown.

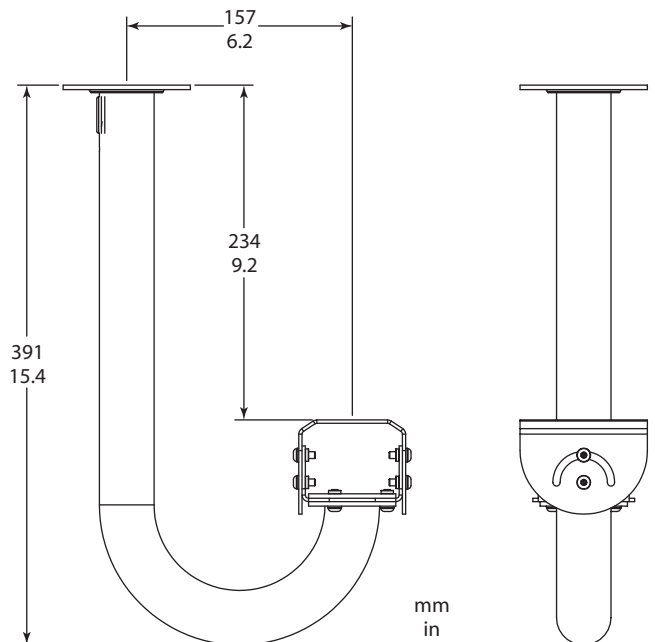
5.3 PMA-1 pole Mount Adapter

Maximum Load: 9kg (20lb)

Finish: Formed Aluminum Plate

Approximate Weight: 0.5kg (1lb)

WB-I Feed-through Mount



JB1 Feed-through J-mount



CBC (AMERICA) Corp.

©2002 CBC (America) Corp.

New York: 55 Mall Drive, Commack, NY 11725 Tel: 800 422 6707 or 631 864 9700 Fax: 631 543 5426

California: 20521 Earl Street, Torrance, CA 90503 Tel: 800 888 0131 or 310 793 1500 Fax: 310 793 1506

www.cbcamerica.com

Data subject to change without notice

I00_0059_002 CBC
Printed in U.S.A.