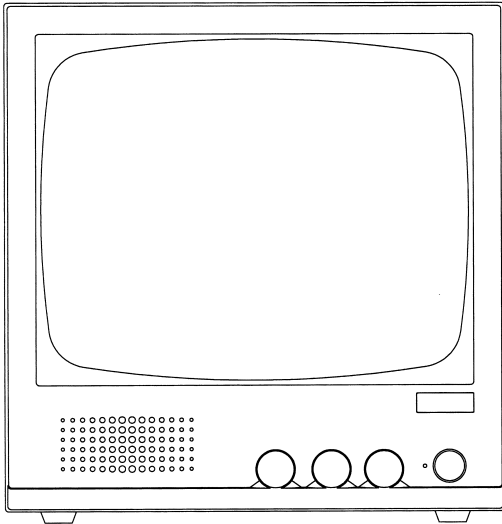


9" B/W MONITOR
CEM-09/09A-2

12" B/W MONITOR
CEM-12/12A-2



**OPERATION
MANUAL**



CONTENTS

| | |
|--|---|
| PRECAUTIONS FOR USE AND INSTALLATION | 1 |
| IMPORTANT SAFEGAURDS | 2 |
| SAFETY INSTRUCTIONS | 3 |
| INSTRUCTION MANUAL CLASS B COMPUTING DEVICES | 5 |
| PART NAMES AND FUNCTIONS | 6 |
| SPECIFICATION | 9 |

PRECAUTIONS FOR USE AND INSTALLATION

- Do not open the housing. In case of necessity, ask service centre or a qualified technician.
- Exercise caution concerning the environment in which the unit is used. If the internal temperature of the unit becomes abnormally high, safety circuit goes into operation, turn the power switch off immediately and unplug the unit . Before turning the power for the unit back on, take measures to prevent a recurrence of the problem, such as relocating the unit or lowering the room temperature.

OPERATION CONDITIONS

| | |
|-------------|----------------------------------|
| TEMPERATURE | -10 °C ~ +50 °C (14 °F ~ 122 °F) |
| HUMIDITY | 10 % ~ 90 % (No condensation) |

- Avoid using the unit in dusty, sooty, damp or steamy locations, and do not install it in direct sunlight.
- Do not stick object into the unit or allow it to become wet.
- Do not stick metal objects (paper clips, hair pins, etc.), paper, matches etc., inside the unit.
- Do not place objects containing liquids (flower vase, etc.), on top of the unit. Do not turn on the power until all equipment has been completely connected.
- If an abnormality does occur, turn the power switch off and unplug the unit. Have a qualified technician perform any repairs.

IMPORTANT SAFEGAURDS



CAUTION
RISK OF ELECTRIC SHOCK
DO NOT OPEN



CAUTION-TO PREVENT ELECTRICAL SHOCK, DO NOT REMOVE THIS COVER. NO USER-SERVICEABLE PARTS INSIDE REFER SERVICING TO QUALIFIED SERVICE PERSONNEL.

WARNING-TO PREVENT DAMAGE WHICH MAY RESULT IN FIRE OR SHOCK HAZARD, DO NOT EXPOSE THIS APPLIANCE TO RAIN OR MOISTURE.

THIS DEVICE COMPLIES WITH PART 15 OF THE FCC RULES. OPERATION IS SUBJECT TO THE FOLLOWING TWO CONDITIONS:(1) THIS DEVICE MAY NOT CAUSE HARMFUL INTERFERENCE AND (2) THIS DEVICE MUST ACCEPT ANY INTERFERENCE RECEIVED, INCLUDING INTERFERENCE THAT MAY CAUSE UNDESIREED OPERATION.

THIS DEVICE COMPLIES WITH DHHS RULES 21 CFR SUBCHAPTER J APPLICABLE AT DATE OF MANUFACTURE.

WARNING-SHOCK HAZARD-DO NOT OPEN
AVIS-RISQUE DE CHOC ELECTRIQUE-NE PAS OUVRIR



SAFETY INSTRUCTIONS

WARNING

1. Read all of these instructions.
2. Save these instructions for later use.
3. Unplug this television equipment from the wall outlet before cleaning. Do not use liquid cleaners or aerosol cleaners. Use a damp cloth for cleaning.
4. Do not use attachments not recommended by the television equipment manufacturer as they may result in the risk of fire, electric shock, or injury to persons.
5. Do not use this television equipment near water—for example, near a bathtub, washbowl, kitchen sink, or laundry tub, in a wet basement, or near a swimming pool, or the like.
6. Do not place this television equipment on an unstable cart, stand, or table. This television equipment may fall, causing serious injury to a child or adult, and serious damage to the equipment. Use only with a cart or stand recommended by the manufacturer, or sold with the television equipment. Wall or shelf mounting should follow the manufacturer's instructions, and should use a mounting kit approved by the manufacturer.
- 6A. Television equipment and cart combination should be moved with care. Quick stops, excessive force, and uneven surfaces may cause the equipment and cart combination to overturn.
7. Slots and openings in the cabinet and the back or bottom are provided for ventilation and to ensure reliable operation of the television equipment and to protect it from overheating, these openings must not be blocked or covered. The openings should never be blocked by placing the television equipment on a bed, sofa, rug, or other similar surface.
(This television equipment should never be placed near or over a radiator or heat register.) This television equipment receiver should not be placed in a built-in installation such as a bookcase unless proper ventilation is provided.
8. This television equipment should be operated only from the type of power source indicated on the marking label. If you are not sure of the type of power supplied to your home, consult your television dealer or local power company. For television equipment designed to operate from battery power, refer to the operating instructions.
9. This television equipment is provided with a polarized alternating-current line plug (a plug having one blade wider than the other). This plug will fit into the power outlet only one way. This is a safety feature. If you are unable to insert the plug fully into the outlet, try reversing the plug. If the plug should still fail to fit, contact your electrician to replace your obsolete outlet. Do not defeat the safety purpose of the polarized plug. Alternative Warning—This television equipment is provided with a three-wire grounding type plug having a third (grounding) pin. This plug will only fit into a grounding-type

PORTABLE CART WARNING



S3126A

power outlet. This is a safety feature. If you are unable to insert the plug into outlet, contact your electrician to replace your obsolete outlet. Do not defeat the safety purpose of the grounding-type plug.

10. Do not allow anything to rest on the power cord. Do not locate this television equipment where the cord will be abused by persons walking on it.
11. For added protection for this television equipment during a lightning storm, or when it is left unattended and unused for long periods of time, unplug it from the wall outlet. This will prevent damage to the equipment due to lightening and power line surges.
12. An outside antenna system should not be located in the vicinity of overhead power lines or other electric light or power circuits, or where it can fall into such power lines or circuits. When installing an outside antenna system, extreme care should be taken to keep from touching such power lines or circuits as contact with them might be fatal.
13. Do not overload wall outlets and extension cords as this can result in fire or electric shock.
Never push objects of any kind into this television equipment through cabinet slots as they may touch dangerous voltage points or short out parts that could result in a fire or electric shock. Never spill liquid of any kind on the television equipment.
14. Do not attempt to service this television equipment yourself as opening or removing covers may expose you to dangerous voltage or other hazards. Refer all servicing to qualified service personnel.
15. Unplug this television equipment from the wall outlet and refer servicing to qualified service personnel under the following conditions:
 - a. When the power cord or plug is damaged or frayed.
 - b. If liquid has been spilled into the television equipment.
 - c. If the television equipment has been exposed to rain or water.
 - d. If the television equipment does not operate normally by following the operating instructions. Adjust only those controls that are covered by the operating instructions as improper adjustment of other controls may result in damage and will often require extensive work by a qualified technician to restore the television equipment to normal operation.
 - e. If the television equipment has been dropped or the cabinet has been damaged.
 - f. When the television equipment exhibits a distinct change in performance—this indicates a need for service.
16. When replacement parts are required, be sure the service technician has used replacement parts specified by the manufacturer that have the same characteristics as the original part. Unauthorized substitutions may result in fire, electric shock, or injury to persons.

INSTRUCTION MANUAL CLASS B COMPUTING DEVICES

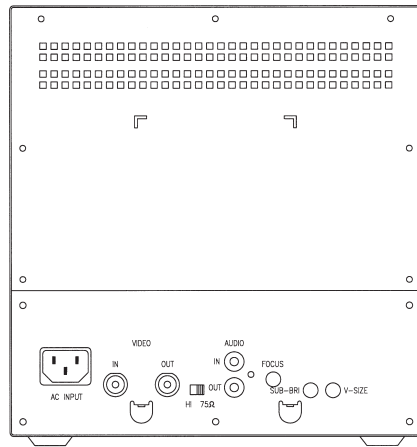
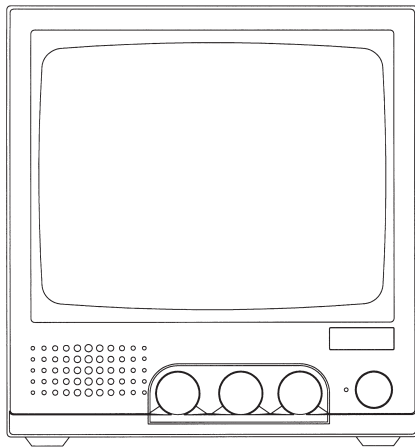
This equipment has been tested and found to comply with the limits for a Class B digital device, pursuant to Part 15 of the FCC Rules. These limits are designed to provide reasonable protection against harmful interference in a residential installation. This equipment generates, uses and can radiate radio frequency energy and, if not installed and used in accordance with the instructions, may cause harmful interference to radio communications. However, there is no guarantee that interference will not occur in a particular installation. If this equipment does cause harmful interference to radio or television reception, which can be determined by turning the equipment off and on, the user is encouraged to try to correct the interference by one or more of the following measures;

- Reorient or relocate the receiving antenna.
- Increase the separation between the equipment and receiver.
- Connect the equipment into an outlet on a circuit different from that to which the receiver is connected.
- Consult the dealer or an experienced radio / TV technician for help.

CAUTION : Any changes or modifications not expressly approved by the grantee of this device could void the user's authority to operate the equipment.

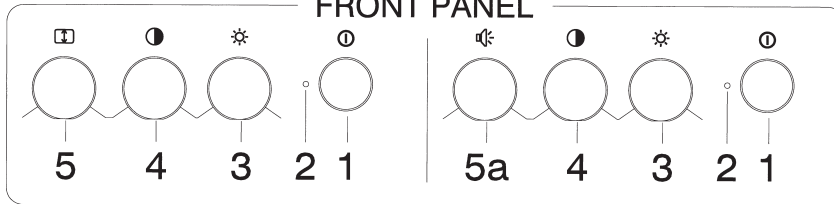
Sub-brightness, Focus , V-Hold , V-Size controls located on the rear panel are for special adjustments which should be performed only by qualified service personnel.

PART NAMES AND FUNCTIONS

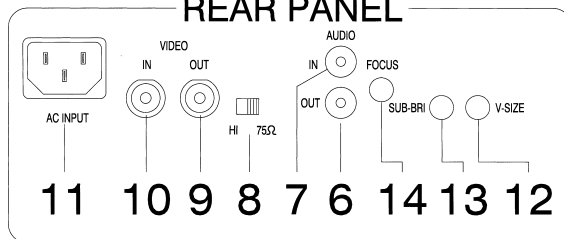


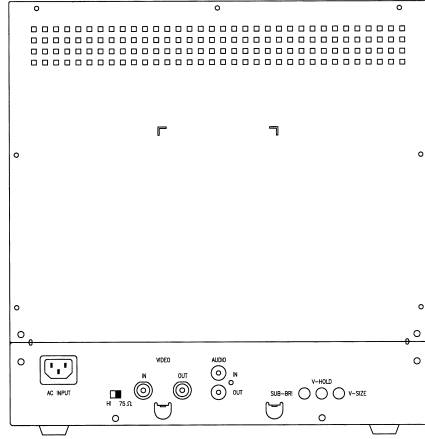
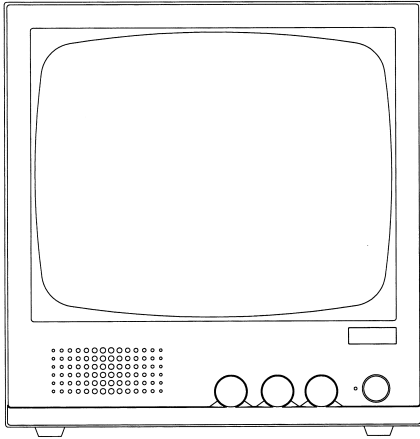
CEM-09-2/CEM-09A-2

FRONT PANEL



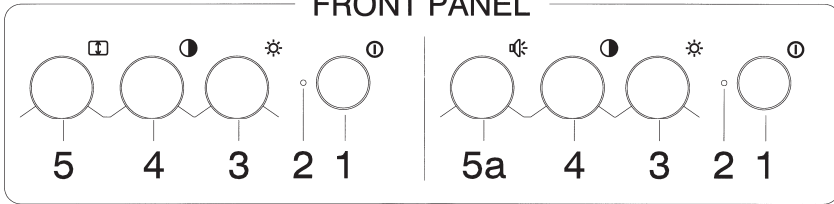
REAR PANEL



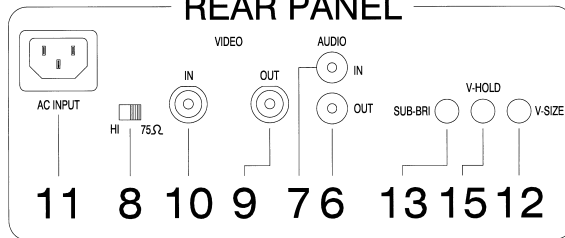


CEM-12-2/CEM-12A-2

FRONT PANEL



REAR PANEL



1. POWER SWITCH

Press the switch to turn the power ON, and press again to turn the power OFF.

2. POWER LED

The LED indicator goes on when the power is turned on.

3. BRIGHTNESS CONTROL

For adjustment of picture brightness.

4. CONTRAST CONTROL

For adjustment of picture contrast.

5. V-SIZE CONTROL

For adjustment of V-SIZE.

5a.VOLUME CONTROL

For adjustment of audio volume.

6. AUDIO OUTPUT TERMINAL(RCA connector)

Connect with the input terminal of the related audio equipment.

7. AUDIO INPUT TERMINAL(RCA connector)

Connect with the output terminal of the related audio equipment.

8. TERMINATION(High/75 Ω impedance)SWITCH

Select the input impedance, High/75 Ω -impedance.

When using only one monitor, turn the termination switch to the "75 Ω "position.

When using more than one monitor, position all the termination switches on the monitors to the "HI". But in the last monitor the termination switch should be in the "75 Ω "position for proper line termination.

9. VIDEO OUTPUT TERMINAL(BNC connector)

Connect with the input terminal of the related video equipment.

10. VIDEO INPUT TERMINAL(BNC connector)

Connect with the output terminal of the related video equipment.

11. POWER SOCKET

Connect to power source.

12.V-SIZE

For adjustment of a suitable height size on screen.

13.SUB-BRI

For sub-adjustment of picture brightness.

14.FOCUS CONTROL

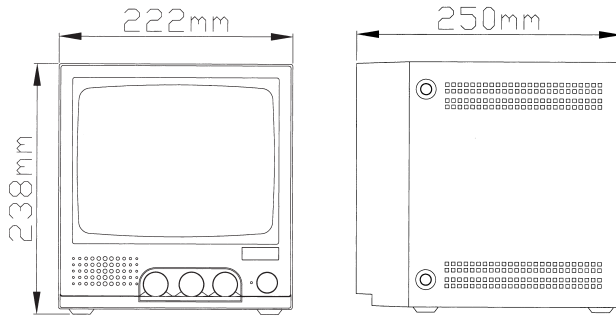
The focus control can be adjusted for optimum focus.

15.V-HOLD

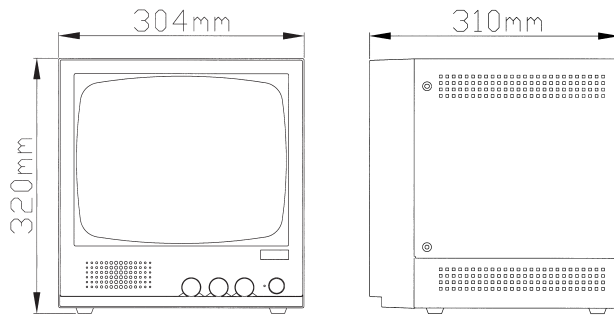
For adjustment of V-HOLD.

SPECIFICATION

| | | | | |
|--------------------|---------------------------------------|--------------------|------------------------|------------------|
| Model No. | CEM-09-2 | CEM-09A-2 | CEM-12-2 | CEM-12A-2 |
| Screen size | 10" measure diagonally | | 12" measure diagonally | |
| TV system | EIA or CCIR | | | |
| Resolution | center:1000 lines | | | |
| | corner:800 lines | | | |
| Input signal | composite video 1.0Vp-p, 75 Ω | | | |
| Input impedance | 75 Ω/Hi-impedance, switchable | | | |
| Video output | composite video 1.0Vp-p, loop-through | | | |
| Power Source | AC100-240V~50/60Hz | | | |
| Power consumption | 20W max. | | 30W max. | |
| Audio output | — | 0.5W W/H speaker×1 | — | 1W W/H speaker×1 |
| Dimensions (W×H×D) | 222×238×250mm | | 304×320×310mm | |
| Net weight | 4.7kg | | 8.0kg | |



CEM-09-2/CEM-09A-2



CEM-12-2/CEM-12A-2

Design and specifications are subject to change without prior notice.

CBC (AMERICA) CORP.

▣New York

55, Mall Drive, Commack,

N.Y. 11725, U.S.A.

Tel: 631-864-9700

Fax: 631-864-9710

▣Los Angeles

20521 Earl Street, Torrance,

CA 90503, U.S.A.

Tel: 310-793-1500

Fax: 310-793-1506



PRINTED IN TAIWAN

312-0184-101