

ZNT1-H Series Quick Start Guide

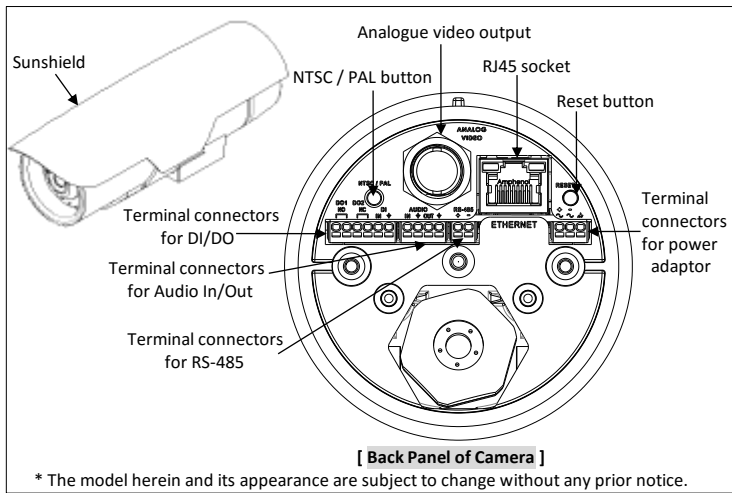
Before installing and operating the unit, please read this manual thoroughly and keep it for future reference.

About the manuals

This manual provides the instructions for the quick installation and the basic configuration of your IP device. For more detailed information, refer to the camera's installation guide and the web page user's manual.

Part names and functions

Please check the name and position of each part by referring to the following image.



Sunshield: It prevents the lens from getting the direct sunlight.

NTSC / PAL Button: The button switches the video output mode between NTSC and PAL. Pressing the button will maintain the current video output mode unless pressing again to switch to the other mode.

Analogue Video Output: Connect a video output cable to see video via an analogue monitor.

RJ45 Socket: RJ45 LAN connector for 10/100 Base-T Ethernet (PoE supported)

Reset Button: Press the button either for the restart or the factory default of the device. For *restart*, ¹press the button only for 2 seconds while the device is powered on. ²Wait for the system to reboot. For *factory default*, ¹press the button for 10 seconds while the device is powered on. ²Wait for the system to reboot. There are also the methods performed on the camera's web page. Refer to the Reboot and Factory Default section in this manual.

Terminal Connectors for DI/DO: Connector for audio input (sensor) and audio outputs (alarms). Refer to the Connection section for more information about the characteristics of DIDO in the installation guide.

Terminal Connectors for Audio I/O: Connector for audio input (MIC) and audio output (speaker). Refer to the Connection section for more information about the characteristics of audio in the installation guide.

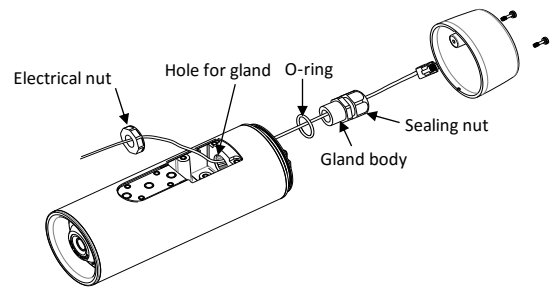
Terminal Connectors for RS-485: Connector for RS-485. Refer to the Connection section for more information about the characteristics about RS-485 in the installation guide.

Terminal Connector for power adaptor: Connector for power supply (12VDC, 24VAC, and PoE supported).

Installation

Installing Cable Gland

To meet the IP66 requirements, you need to install the cable gland unit to the camera. Follow the instructions on the other side of this page.



- 1) Detach the back cover by twisting it counter-clockwise.
- 2) Disassemble the cable gland unit (Disassembled parts: electrical nut, rubber sealing ring inside the gland - you need to take it out, gland body, and sealing nut).
- 3) Pass the electrical nut through the ends of the necessary cables.
- 4) Pass the cables through the holes both on the back and the bottom of the camera by referring to the image above.
- 5) Pass the provided O-ring, gland body through the ends of the cables that are on the backside of the camera.
- 6) Insert the cables into the rubber sealing ring at the point where about 4.5 inches (11.5 cm) of the cable ends remains to connect to the corresponding connectors on the back panel later.
- 7) Push the rubber sealing ring through the claw of the gland body.
- 8) Insert the sealing nut into the thread of the gland body, and tighten it by turning the nut on the thread. The rubber sealing ring will be tightened to fill the gap between the rubber sealing ring and the cables.
- 9) Push the gland unit through the hole on the back of the camera so that the other end of the thread on the gland unit will be inserted into hole for gland.
- 10) Fix the gland unit to the hole by inserting the electrical nut and tightening it on the thread of the gland unit.

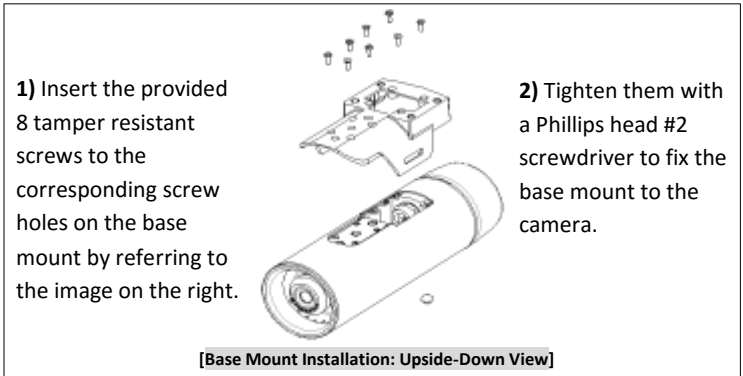
NOTE1 A thin type of the BNC cable is recommended when you insert multiple cables including a BNC cable as the standard size of BNC cable is too thick to be inserted together into the rubber sealing ring.

NOTE2 Use the detachable cable with a separate BNC connector to pass the hole of the sealing nut or the female type head of the BNC cable to pass the hole of the sealing nut.

Connecting Cable(s)

Refer to the connection section for more information about each connector.

Installing Base Mount



Connecting Cables

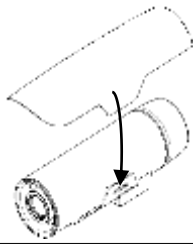
For the information about the necessary cables, refer to the part names and functions section on the left side of this page and the Connection section in the installation guide.

Closing Back Cover

- 1) Insert the provided silica gel packet inside the back panel.
- 2) Close the back panel of the camera by twisting the back cover clockwise on the camera's back panel.
- 3) Insert the two tamper resistant screws into the holes on the back cover, and tighten them with a Phillips #2 screwdriver to fix the back cover to the camera unit.

Installing Sunshield

1) Insert the two provided stem bumpers to the holes at the bottom of the sunshield.



2) Place the sunshield on top of the camera body, and, snap the sunshield to the base mount.

Installing with Bracket/Adaptor

There are currently 7 optional accessories such as wall mount bracket, corner mount bracket, and so on. Please refer to the corresponding accessory's installation guide for the installation instructions.

Setting up network environment

The default IP address of the device is 192.168.XXX.XXX. Users can identify the IP address of the device by converting the MAC address's hexadecimal numbers. The MAC address is at the bottom of the device. Be sure that the device and the PC are on the same network area before the installation.

Generic IP Environment

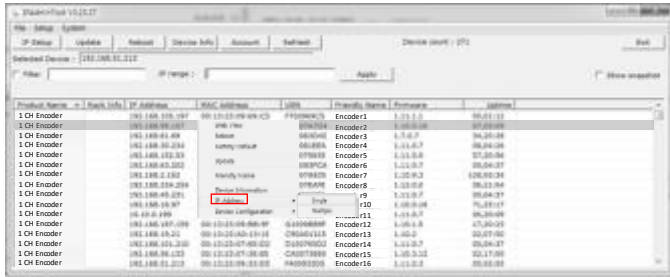
Convert the device's MAC address to the IP address. Refer to the Hexadecimal-Decimal Conversion Table at the end of this manual.

MAC address = 00-13-23-01-14-B1 -> IP address = 192.168.20.177

Convert the last two sets of hexadecimal numbers to decimal numbers.

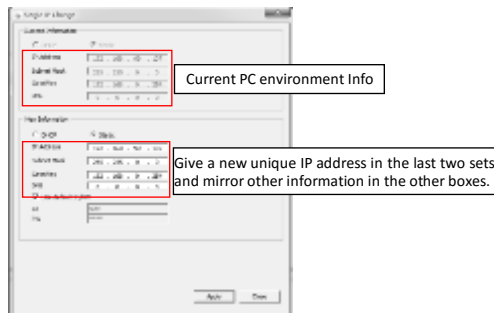
IPAdminTool

IPAdminTool is a management tool to automatically scan all the network products for the devices' administrative tasks, which include network configurations, firmware update, device reboot, factory default, and device organization.



To modify the device's default IP address for a customized network area;

- 1) Find the device from IPAdminTool's list, and highlight the device's name.
- 2) Right-click the mouse, and select **IP Address**, and select either **Single** or **Multiple** depending on the selected number of devices.



3) Type the new network information including IP Address. The image above shows the Single IP Change window only. Refer to the manual for IPAdminTool in case you need the instructions to change multiple IP addresses.

4) Enter ID and PW(if the device's ID and PW have never been changed, check the checkbox of 'Use default ID/PW'.)

5) Click **Apply**.

Viewing video on web page

Once the device's IP address has been identified, type the URL in a web browser to access the camera. At the first time access, the installation window like below may pop up.



1) When the browser asks to install the AxUMF software, click **Install** to proceed.

2) When the Setup installation pop-up window appears, click **Install** to proceed with the rest of the installation.

SETUP page

To setup the device configuration:

- 1) Click **Setup** on the upper left corner of the web page.
- 2) Enter the user name and the password when the login page is displayed. (The default user name and the password are **root** and **pass**.)
- 3) Click **OK**.

To learn how to set up the camera on the web page for the advanced configurations, refer to the web page user's manual.

Reboot*

You can reboot the device via the camera's webpage, too.

- 1) Go to **Setup > Maintenance > Reboot**.
- 2) Click **Reboot** to reboot the device.



*How to reboot on the device is found in the part names and functions section on the previous page.

Factory Default*

You can initialize the current settings to the factory default values via the camera's webpage, too.

- 1) Go to **Setup > Maintenance > Reset All Settings**.
- 2) Select the items that you want to keep from the initialization among network settings, user account information, and time zone setting.
- 3) Click **Reset All Settings**.



*How to do factory default on the device is found in the Part names and functions section on the previous page.

Safe mode

Your device will get restarted in safe mode if the device does not completely boot certain times. The main causes for safe mode are as follows.

- * The power supply is continually unplugged certain times in the middle of system booting.
- * The firmware files required for system booting are damaged.
- * There are conflicts in the system settings.

You will see the page to indicate that your device is in safe mode and to guide you what to do in steps. Follow the instructions on the webpage according to each step.

NOTE

One of the methods to update firmware is using IPAdminTool. Please refer to the manual for IPAdminTool for the detailed procedure.

NOTE

If your device is still in safe mode after trying to update firmware, please contact your local agency to get further assistance.

Hexadecimal-decimal conversion table

Refer to the following table when converting the MAC address of your device to IP address.

Hex	Dec	Hex	Dec	Hex	Dec	Hex	Dec	Hex	Dec	Hex	Dec	Hex	Dec	Hex	Dec
0	0	25	37	4A	74	6F	111	94	148	B9	185	DE	222	FF	255
1	1	26	38	4B	75	70	112	95	149	BA	186	DF	223		
2	2	27	39	4C	76	71	113	96	150	BB	187	E0	224		
3	3	28	40	4D	77	72	114	97	151	BC	188	E1	225		
4	4	29	41	4E	78	73	115	98	152	BD	189	E2	226		
5	5	2A	42	4F	79	74	116	99	153	BE	190	E3	227		
6	6	2B	43	50	80	75	117	9A	154	BF	191	E4	228		
7	7	2C	44	51	81	76	118	9B	155	C0	192	E5	229		
8	8	2D	45	52	82	77	119	9C	156	C1	193	E6	230		
9	9	2E	46	53	83	78	120	9D	157	C2	194	E7	231		
0A	10	2F	47	54	84	79	121	9E	158	C3	195	E8	232		
0B	11	30	48	55	85	7A	122	9F	159	C4	196	E9	233		
0C	12	31	49	56	86	7B	123	A0	160	C5	197	EA	234		
0D	13	32	50	57	87	7C	124	A1	161	C6	198	EB	235		
0E	14	33	51	58	88	7D	125	A2	162	C7	199	EC	236		
0F	15	34	52	59	89	7E	126	A3	163	C8	200	ED	237		
10	16	35	53	5A	90	7F	127	A4	164	C9	201	EE	238		
11	17	36	54	5B	91	80	128	A5	165	CA	202	EF	239		
12	18	37	55	5C	92	81	129	A6	166	CB	203	F0	240		
13	19	38	56	5D	93	82	130	A7	167	CC	204	F1	241		
14	20	39	57	5E	94	83	131	A8	168	CD	205	F2	242		
15	21	3A	58	5F	95	84	132	A9	169	CE	206	F3	243		
16	22	3B	59	60	96	85	133	AA	170	CF	207	F4	244		
17	23	3C	60	61	97	86	134	AB	171	D0	208	F5	245		
18	24	3D	61	62	98	87	135	AC	172	D1	209	F6	246		
19	25	3E	62	63	99	88	136	AD	173	D2	210	F7	247		
1A	26	3F	63	64	100	89	137	AE	174	D3	211	F8	248		
1B	27	40	64	65	101	8A	138	AF	175	D4	212	F9	249		
1C	28	41	65	66	102	8B	139	BO	176	D5	213	FA	250		
1D	29	42	66	67	103	8C	140	B1	177	D6	214	FB	251		
1E	30	43	67	68	104	8D	141	B2	178	D7	215	FC	252		
1F	31	44	68	69	105	8E	142	B3	179	D8	216	FD	253		
20	32	45	69	6A	106	8F	143	B4	180	D9	217	FE	254		
21	33	46	70	6B	107	90	144	B5	181	DA	218	FF	255		
22	34	47	71	6C	108	91	145	B6	182	DB	219				
23	35	48	72	6D	109	92	146	B7	183	DC	220				
24	36	49	73	6E	110	93	147	B8	184	DD	221				