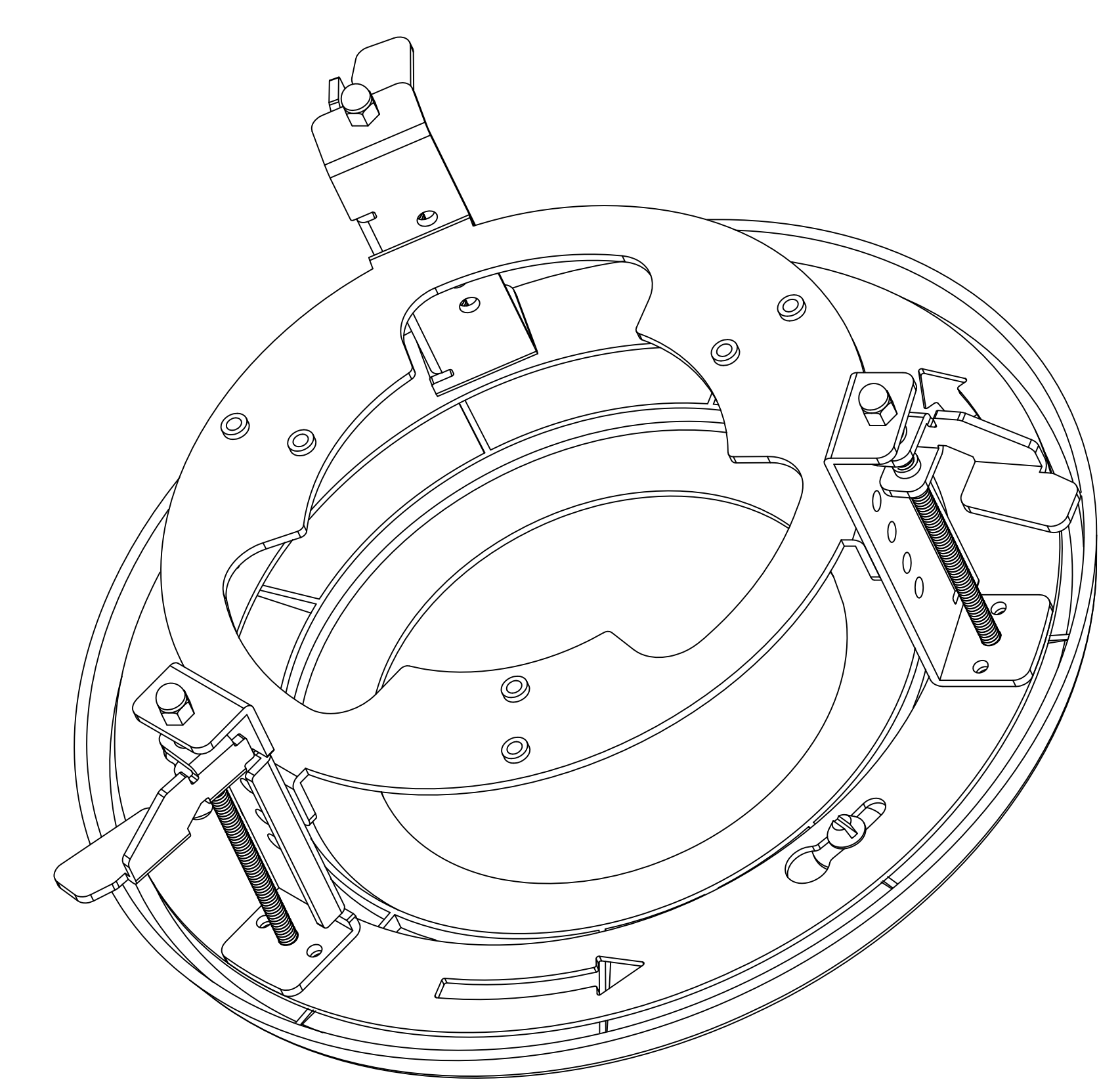
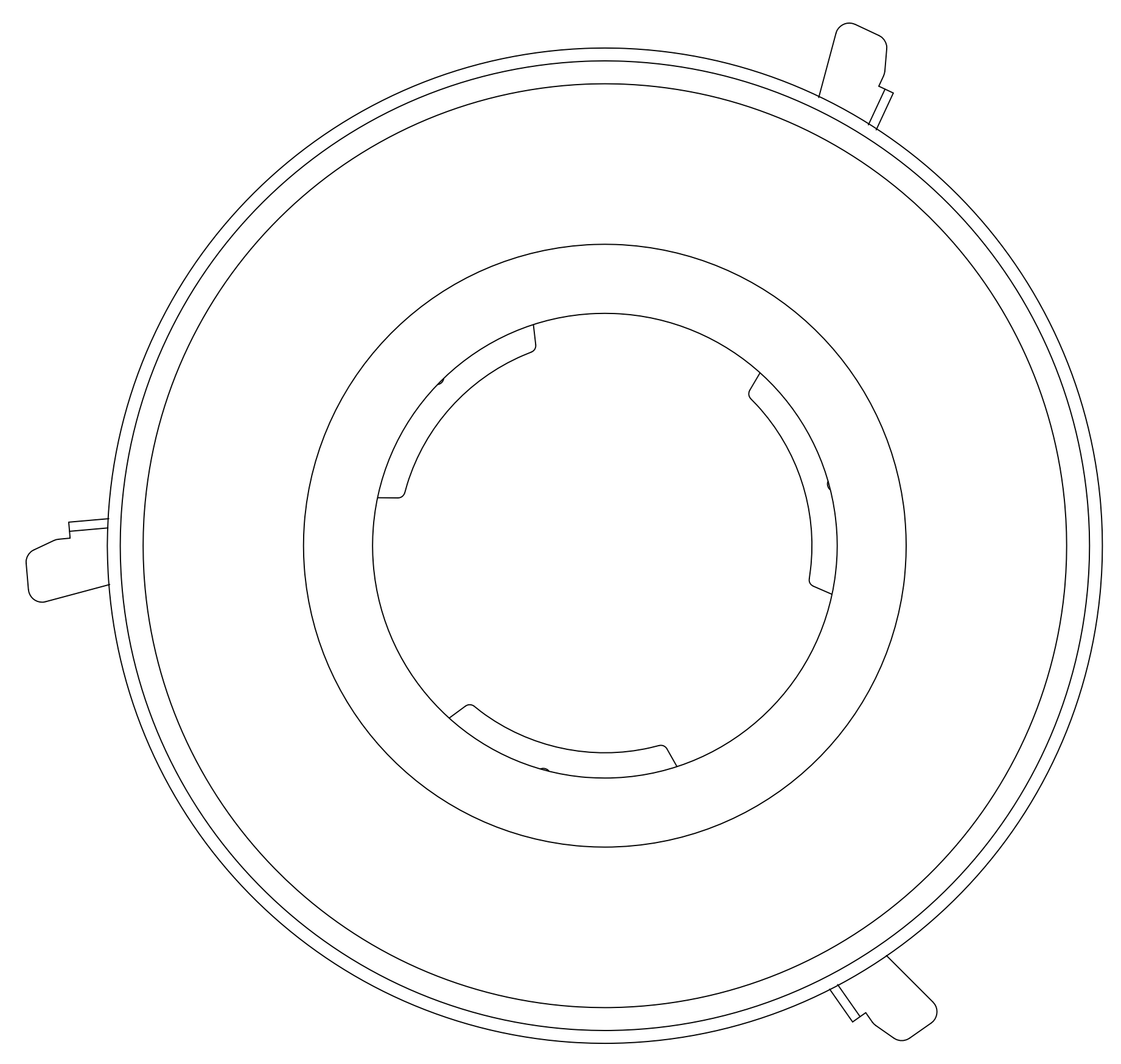
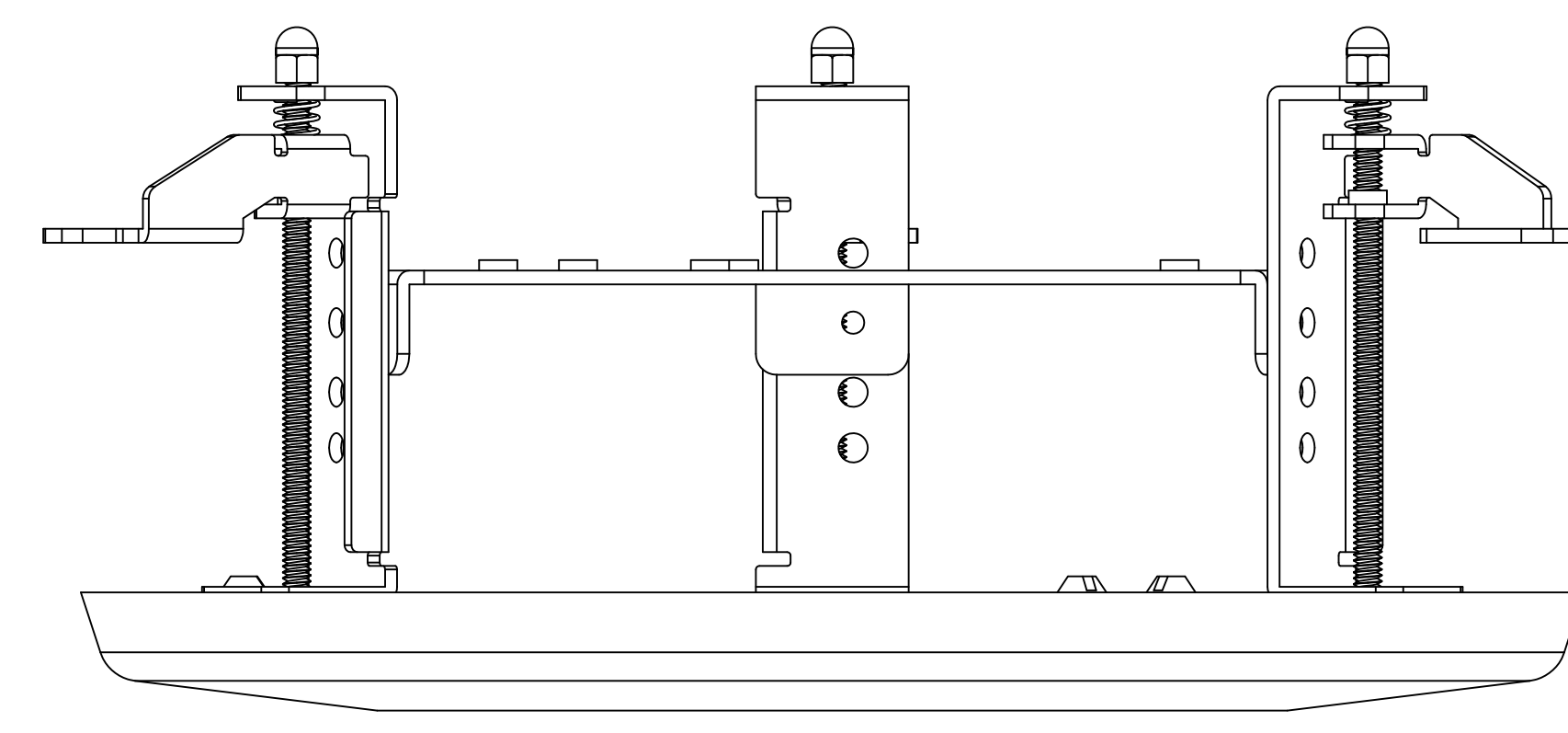
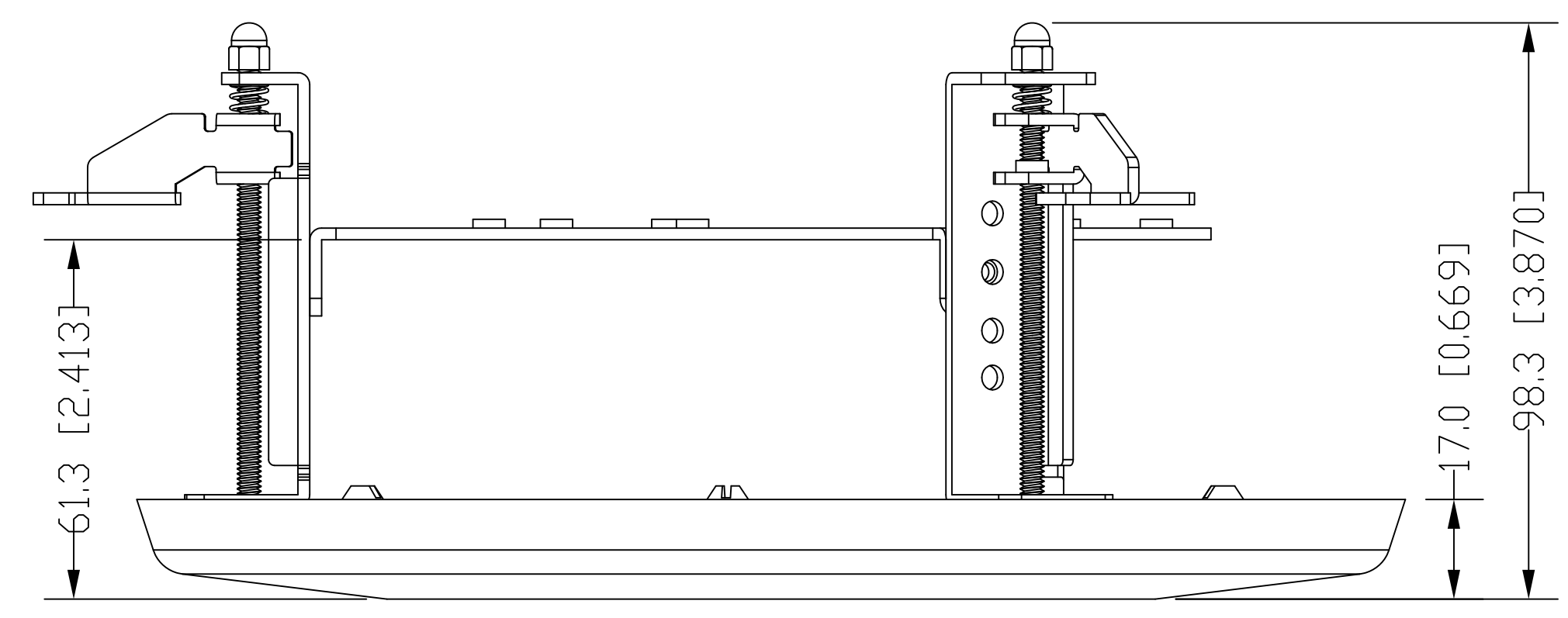
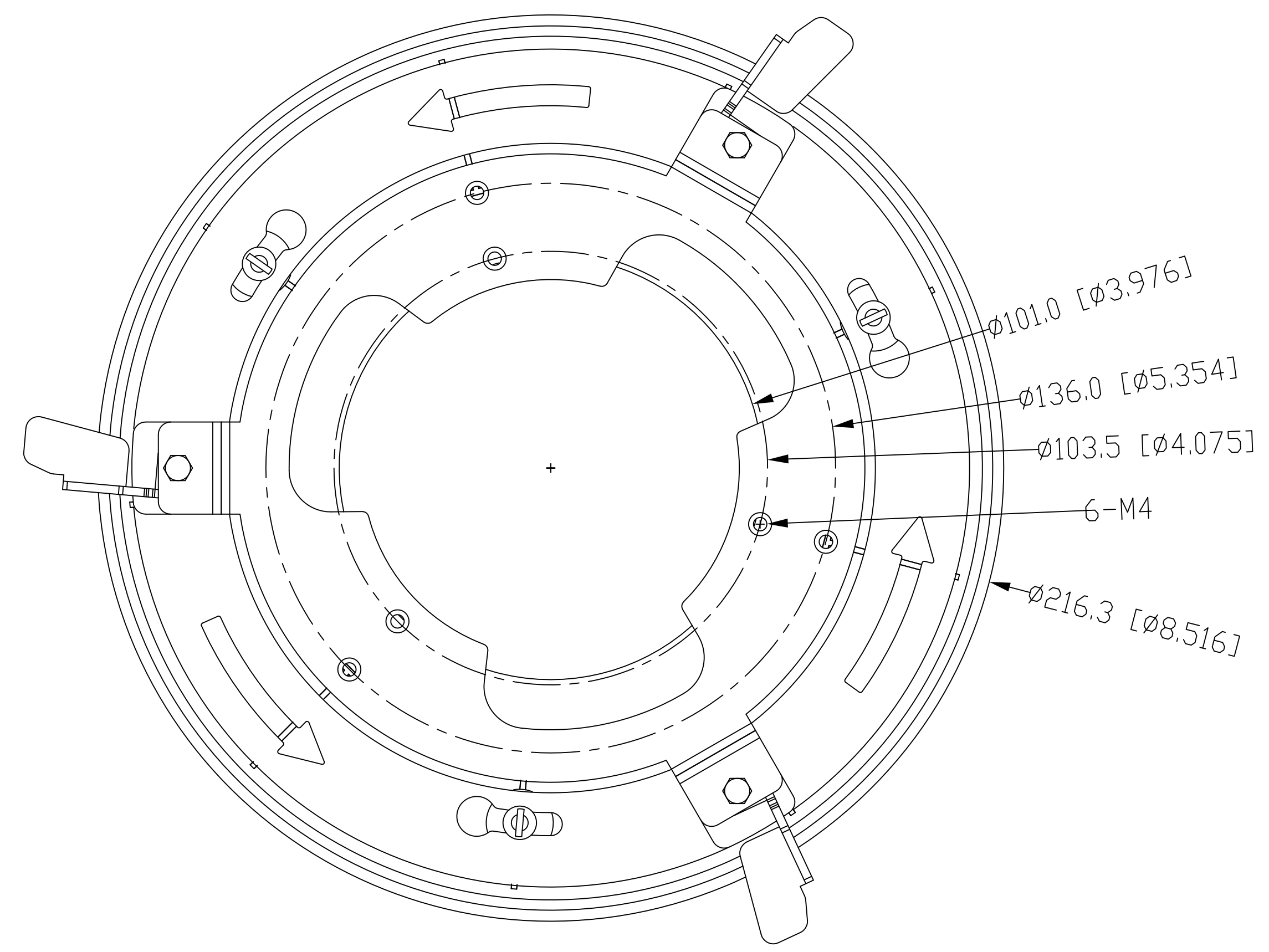


NO.	COUNT	REVISIONS	DATE (Y/M/D)	APPROVED
△	-	-	-- / -- / --	-
△	-	-	-- / -- / --	-



unit: mm[inch]

NO.	PART NO.	PART NAME	TYPE	QTY	MATERIAL	REMARK
UNLESS OTHERWISE SPECIFIED, DIMENSIONS ARE IN MILLIMETERS AND TOLERANCES ARE AS FOLLOWS:						
2 - 4	± 0.15					
5 - 12	± 0.20					
13 - 40	± 0.30					
41 - 100	± 0.40					
100 - 1000	± 0.50					
1000 - 10000	± 0.60					
10000 - 100000	± 0.70					
100000 - 1000000	± 0.80					
1000000 - 10000000	± 0.90					
10000000 - 100000000	± 1.00					
100000000 - 1000000000	± 1.20					
1000000000 - 10000000000	± 1.50					
10000000000 - 100000000000	± 2.00					
100000000000 - 1000000000000	± 2.50					
1000000000000 - 10000000000000	± 3.00					
10000000000000 - 100000000000000	± 4.00					
100000000000000 - 1000000000000000	± 5.00					
1000000000000000 - 10000000000000000	± 6.00					
10000000000000000 - 100000000000000000	± 8.00					
100000000000000000 - 1000000000000000000	± 10.00					
1000000000000000000 - 10000000000000000000	± 12.00					
10000000000000000000 - 100000000000000000000	± 15.00					
100000000000000000000 - 1000000000000000000000	± 20.00					
1000000000000000000000 - 10000000000000000000000	± 25.00					
10000000000000000000000 - 100000000000000000000000	± 30.00					
100000000000000000000000 - 1000000000000000000000000	± 40.00					
1000000000000000000000000 - 10000000000000000000000000	± 50.00					
10000000000000000000000000 - 100000000000000000000000000	± 60.00					
100000000000000000000000000 - 1000000000000000000000000000	± 80.00					
1000000000000000000000000000 - 10000000000000000000000000000	± 100.00					
10000000000000000000000000000 - 100000000000000000000000000000	± 120.00					
100000000000000000000000000000 - 1000000000000000000000000000000	± 150.00					
1000000000000000000000000000000 - 10000000000000000000000000000000	± 200.00					
10000000000000000000000000000000 - 100000000000000000000000000000000	± 250.00					
100000000000000000000000000000000 - 1000000000000000000000000000000000	± 300.00					
1000000000000000000000000000000000 - 10000000000000000000000000000000000	± 400.00					
10000000000000000000000000000000000 - 100000000000000000000000000000000000	± 500.00					
100000000000000000000000000000000000 - 1000000000000000000000000000000000000	± 600.00					
1000000000000000000000000000000000000 - 10000000000000000000000000000000000000	± 800.00					
10000000000000000000000000000000000000 - 100000000000000000000000000000000000000	± 1000.00					
100000000000000000000000000000000000000 - 1000000000000000000000000000000000000000	± 1200.00					
1000000000000000000000000000000000000000 - 100	± 1500.00					
100 - 1000	± 2000.00					
1000 - 100	± 2500.00					
100 - 1000	± 3000.00					
1000 - 100	± 4000.00					
100 - 1000	± 5000.00					
1000 - 100	± 6000.00					
100 - 1000	± 8000.00					
1000 - 100	± 10000.00					
100 - 1000	± 12000.00					
1000 - 100	± 15000.00					
100 - 1000	± 20000.00					
1000 - 100	± 25000.00					
100 - 1000	± 30000.00					
1000 - 100	± 40000.00					
100 - 1000	± 50000.00					
1000 - 100	± 60000.00					
100 - 1000	± 80000.00					
1000 - 100	± 100000.00					
100 - 1000	± 120000.00					
1000 - 100	± 150000.00					
100 - 1000	± 200000.00					
1000 - 100	± 250000.00					
100 - 1000	± 300000.00					
1000 - 100	± 400000.00					
100 - 1000	± 500000.00					
1000 - 100	± 600000.00					
100 - 1000	± 800000.00					
1000 - 100	± 1000000.00					
100 - 1000	± 1200000.00					
1000 - 100	± 1500000.00					
100 - 1000	± 2000000.00					
1000 - 100	± 2500000.00					
100 - 1000	± 3000000.00					
1000 - 100	± 4000000.00					
100 - 1000	± 5000000.00					
1000 - 100	± 6000000.00					
100 - 1000	± 8000000.00					
1000 - 100	± 10000000.00					
100 - 1000	± 12000000.00					
1000 - 100	± 15000000.00					
100 - 1000	± 20000000.00					
1000 - 100	± 25000000.00					