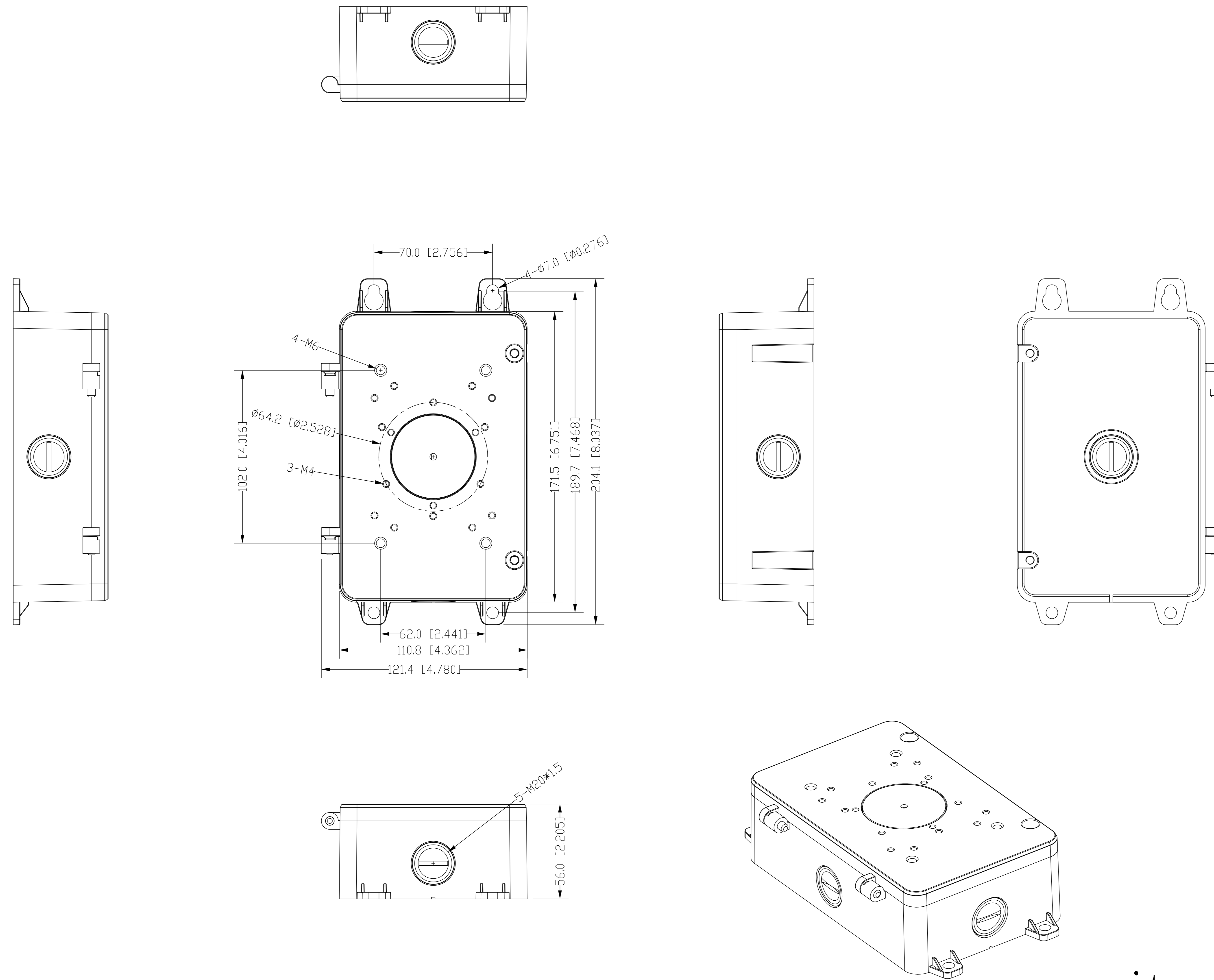


NO.	COUNT	REVISIONS	DATE (Y/M/D)	APPROVED
△	-	-	-- / -- / --	-
△	-	-	-- / -- / --	-



unit: mm[inch]

NO.	PART NO.	PART NAME	SIZE	SCALE	QTY	MATERIAL	REMARK
1	101	JUNCTION BOX	100x100x50	1:1	1	ABS	

NO.	DATE	BY	CHECKED	APPROVED
1	18/10/16	CO	CO	CO