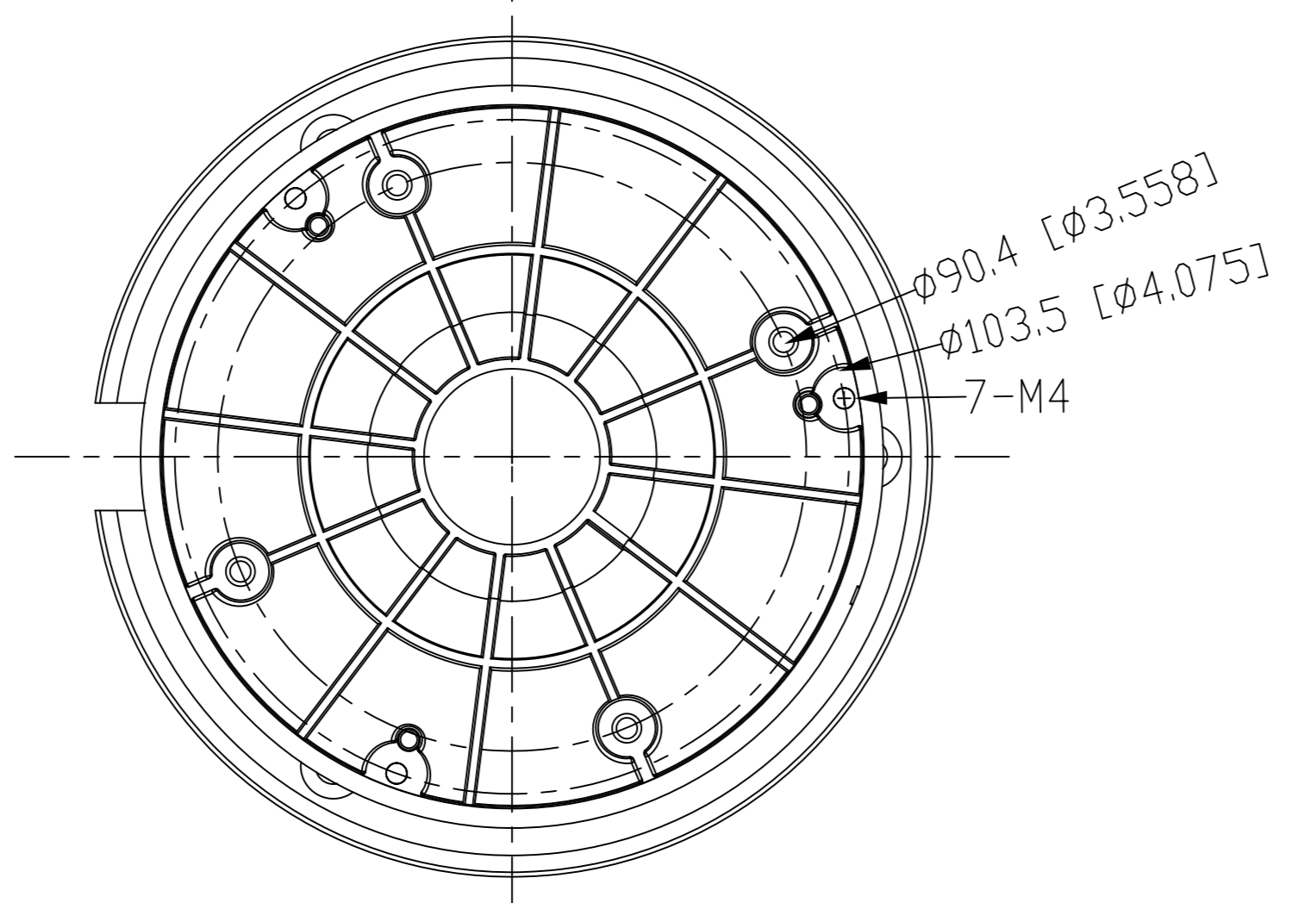
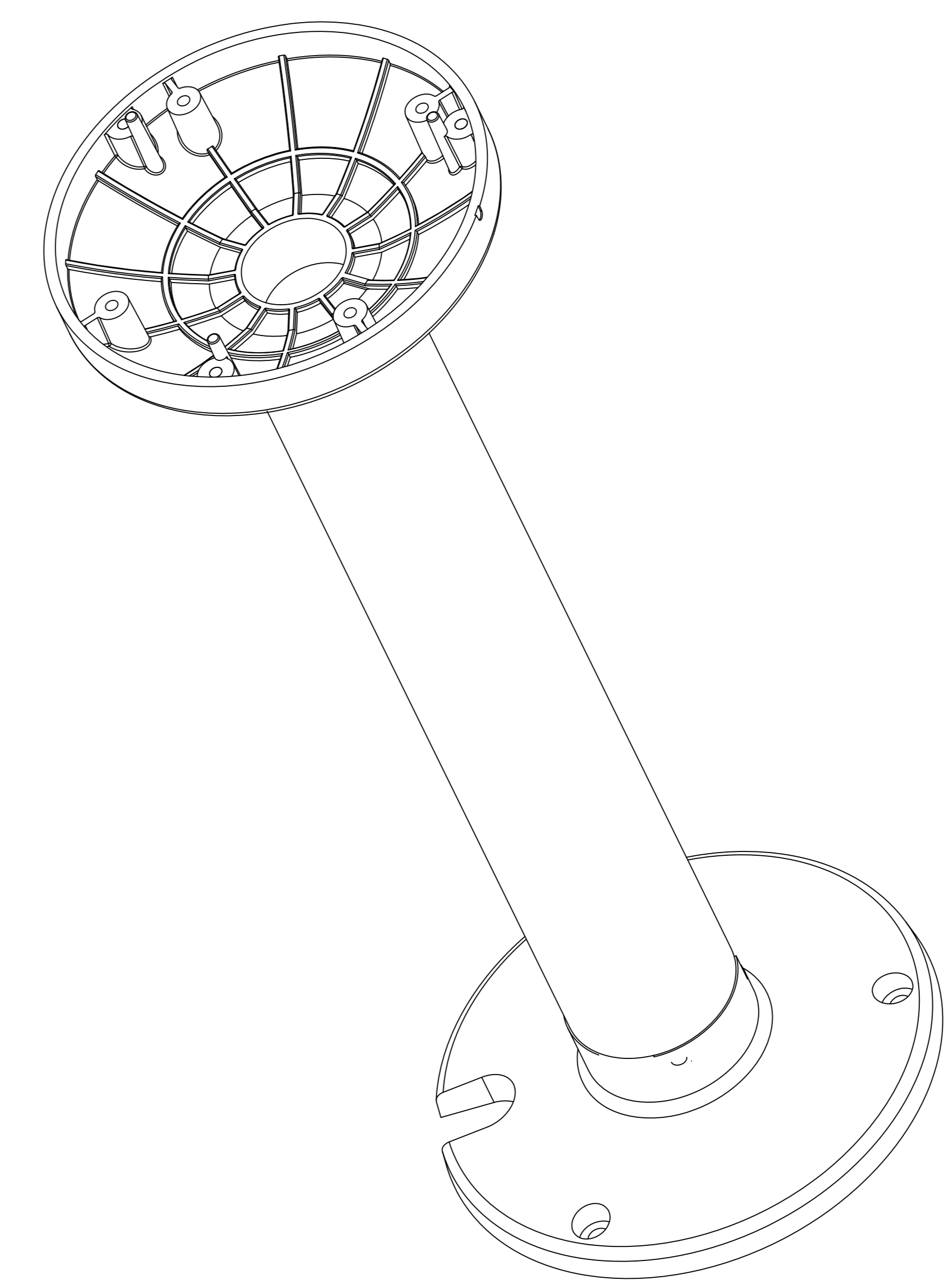
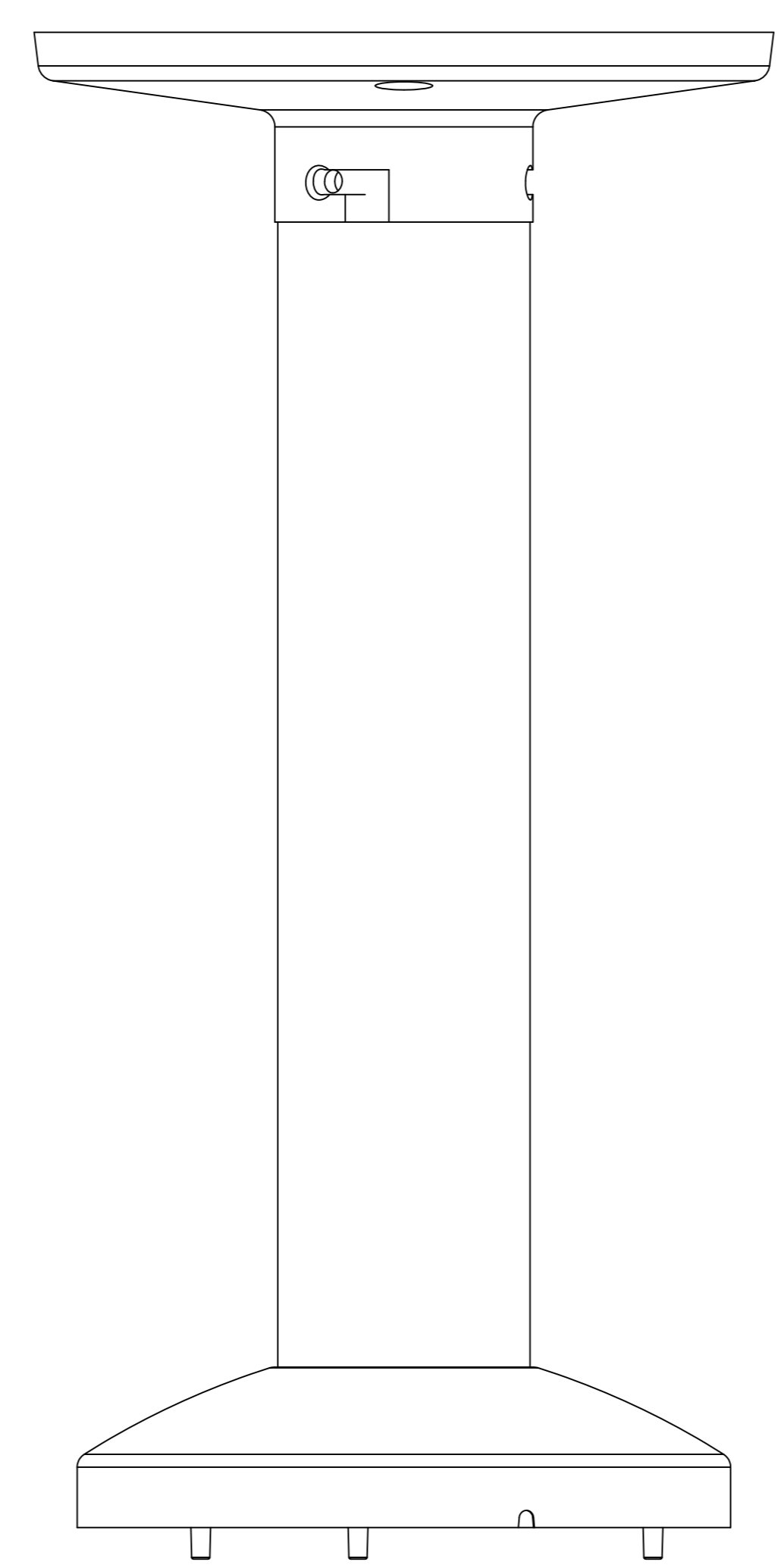
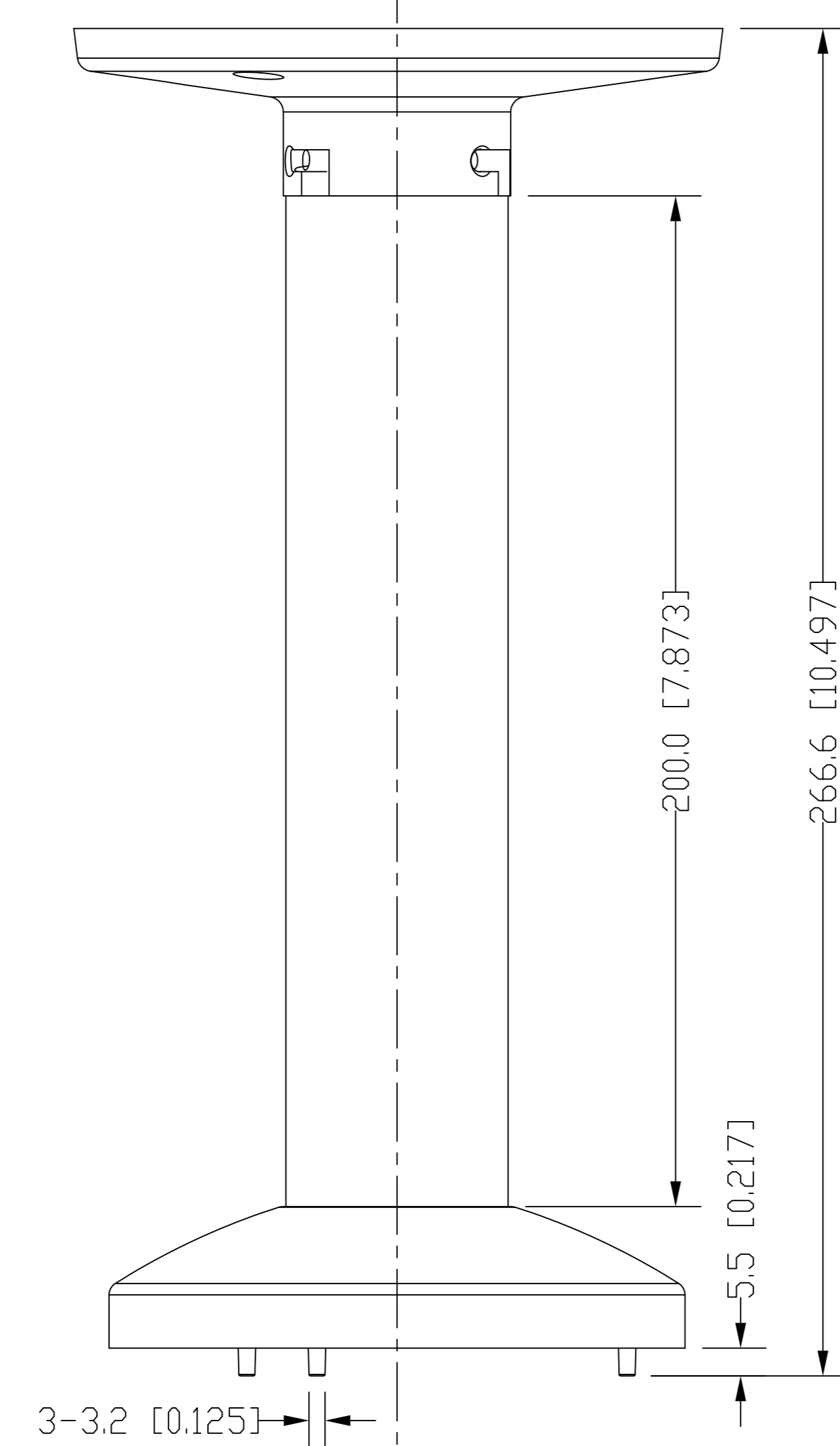
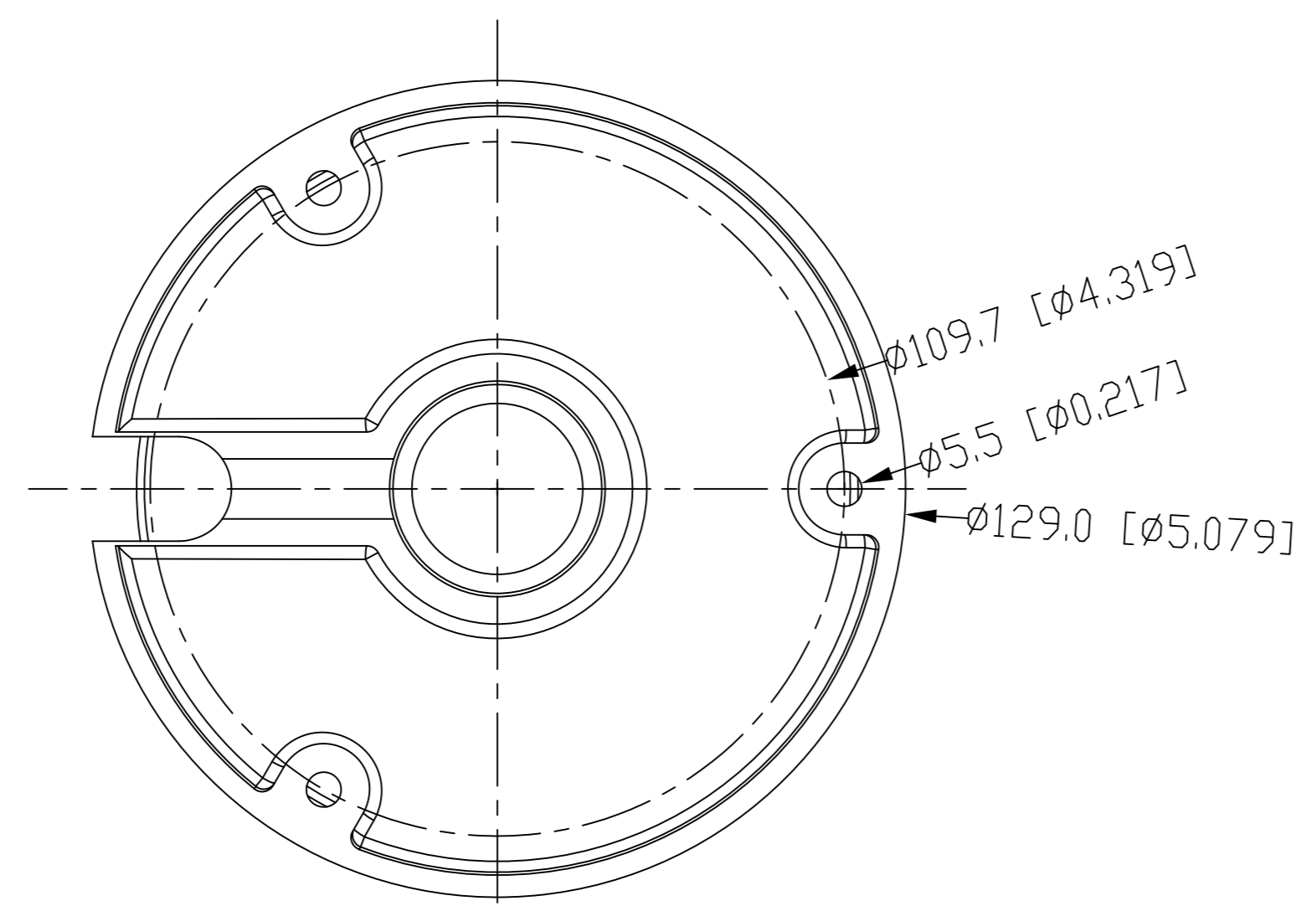


NO.	COUNT	REVISIONS	DATE (Y/M/D)	APPROVED
△	-		-- / -- / --	-
△	-		-- / -- / --	-



unit: mm[inch]

NO.	PART NO.	PART NAME	SIZE	SCALE	QTY	MATERIAL	REMARK
UNLESS OTHERWISE SPECIFIED, DIMENSIONS ARE IN MILLIMETERS AND TOLERANCES ARE AS FOLLOWS:							
2 - 4	± 0.15		AD				
5 - 12	± 0.25						
13 - 40	± 0.5						
41 - 100	± 1.0						
100 - 1000	± 2.0						
ANGULAR TOLERANCE: ± 0.5°							
CHECKED							CEILING MOUNT
APPROVED							