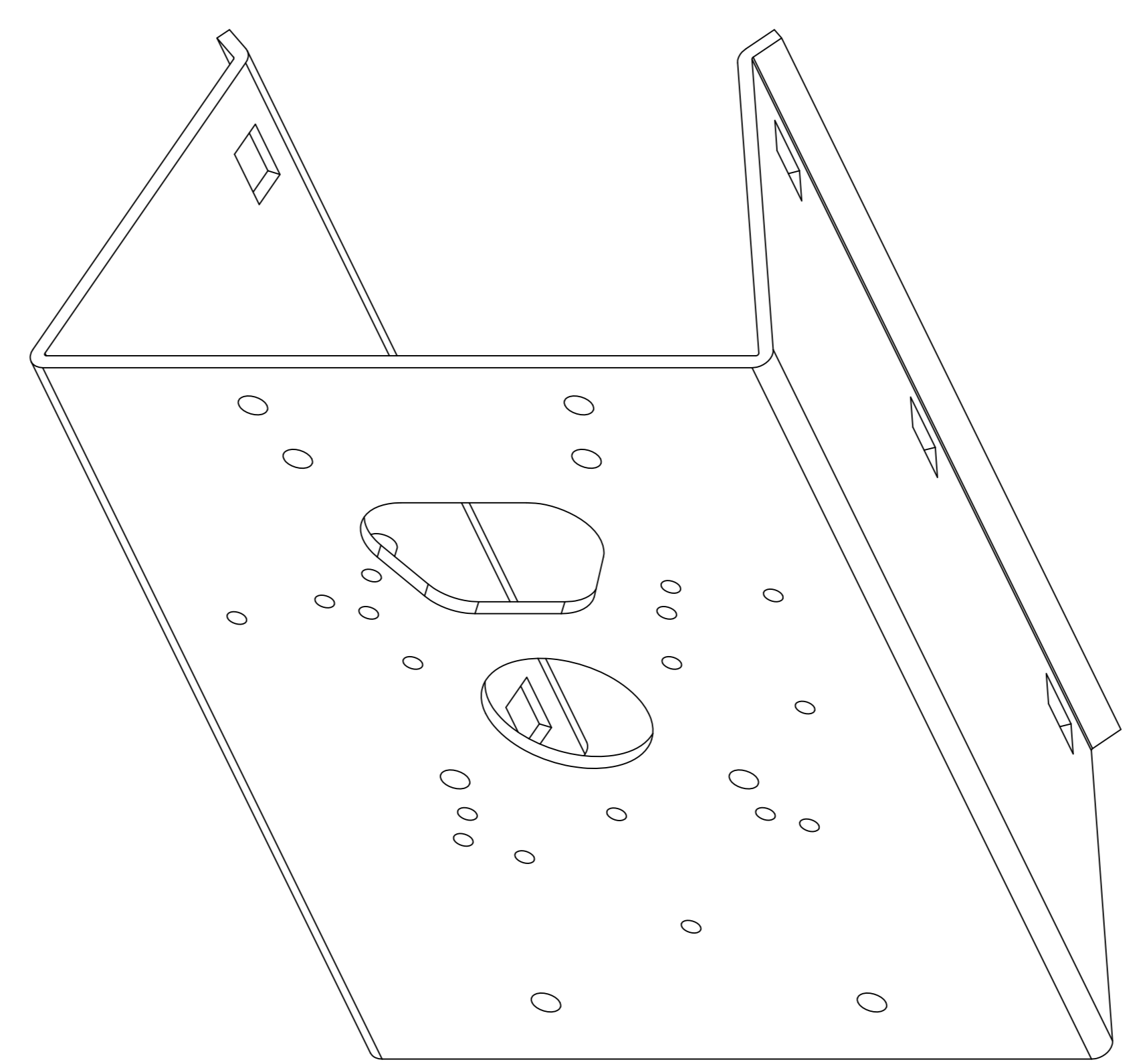
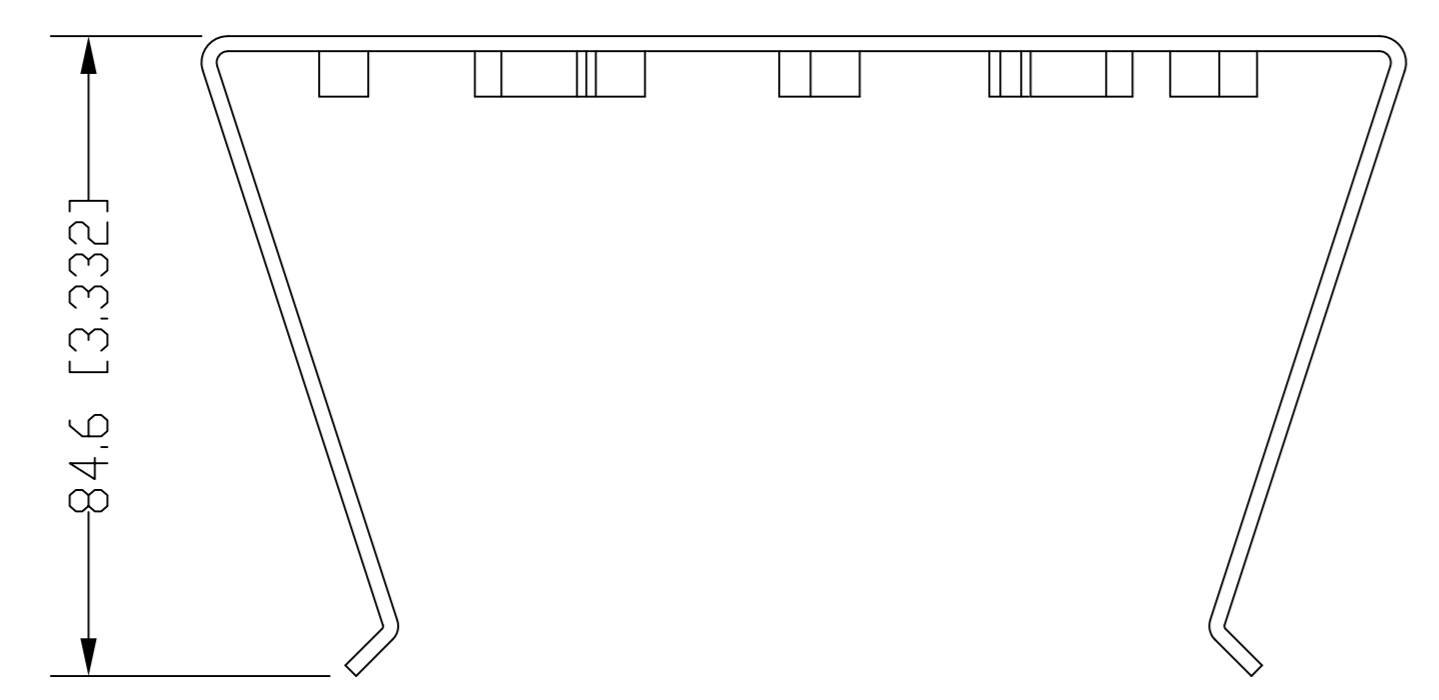
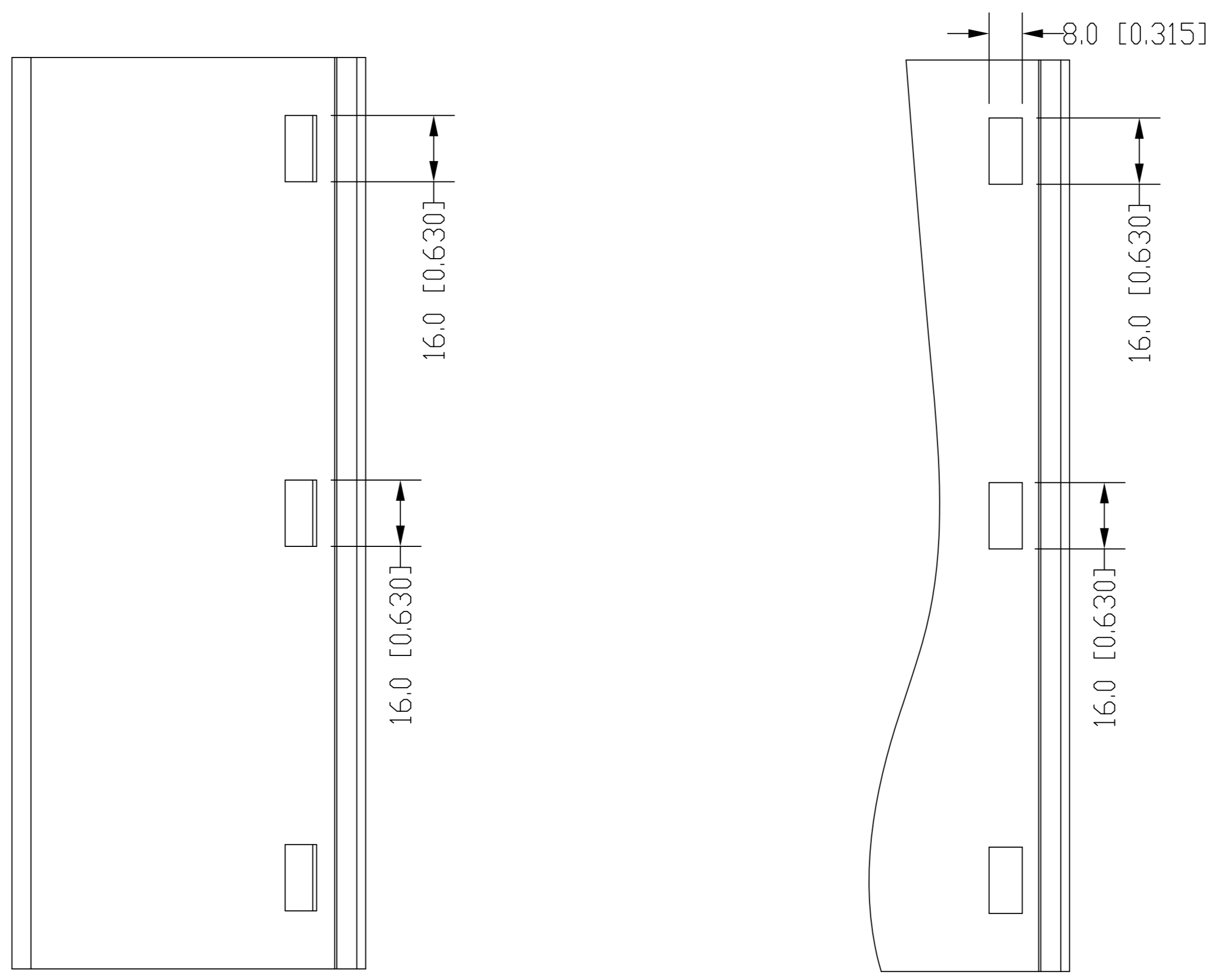
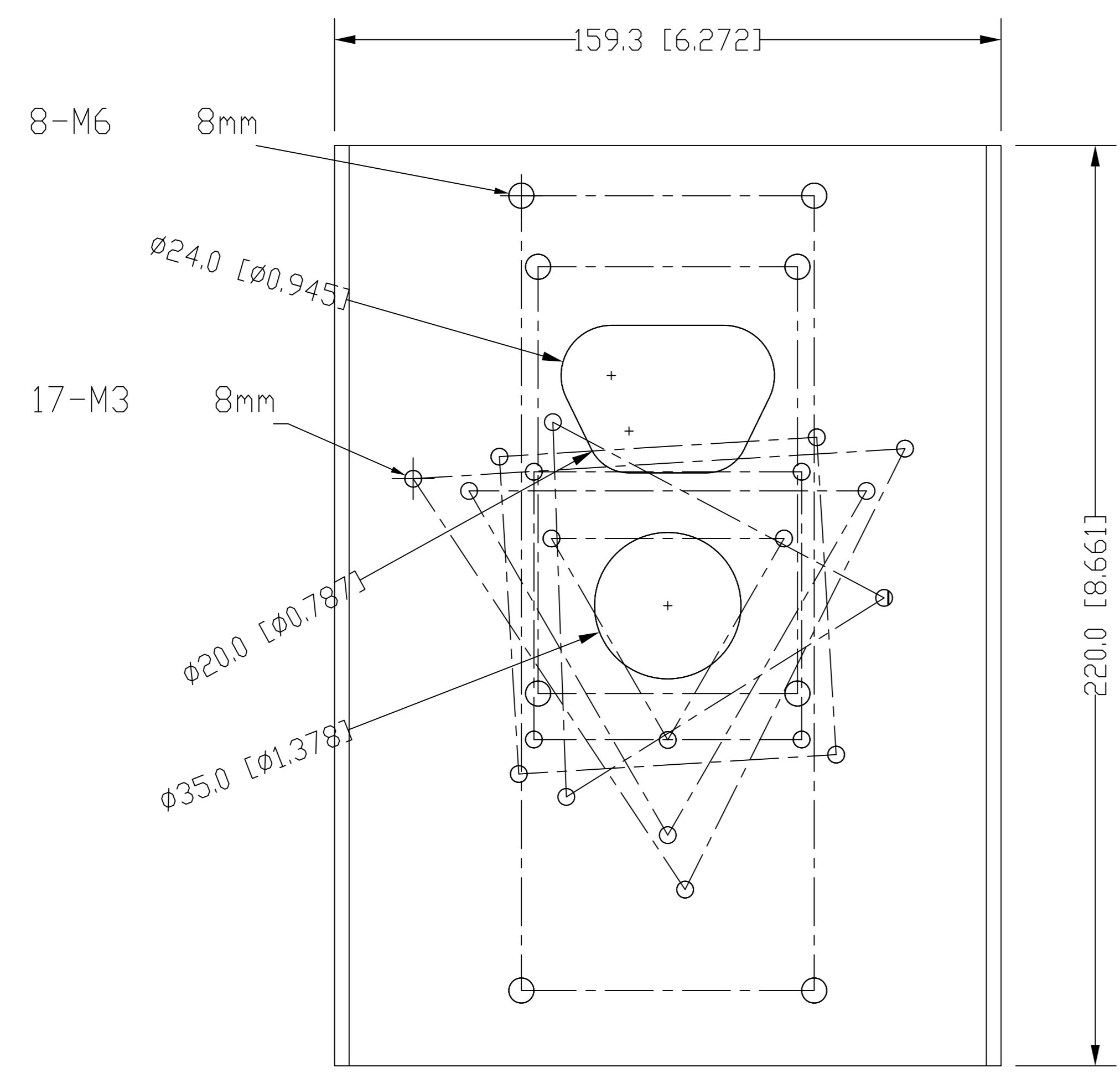


NO.	COUNT	REVISIONS	DATE (YY/MM/DD)	APPROVED
△	-		-- / -- / --	-
△	-		-- / -- / --	-



unit: mm[inch]

NO.	QTY	UNIT	REMARKS
1	1	PC	POLE MOUNT BRACKET

NO.	DATE	BY	CHKD	APPD
1	18/10/16	AD		

NO.	DATE	BY	CHKD	APPD
1	18/10/16	AD		