



# ZC-D4000 Series

## 540 TVL DAY/NIGHT DOMES



- 540 TVL Super High Resolution
- 3-9mm **computar**® F1.2 Varifocal Auto Iris Lens
- True Day/Night, Digital Day/Night, & WDR Models
- 12VDC or 24VAC Operation, Auto-sensing
- Full Range of Indoor & Outdoor Mounting Options

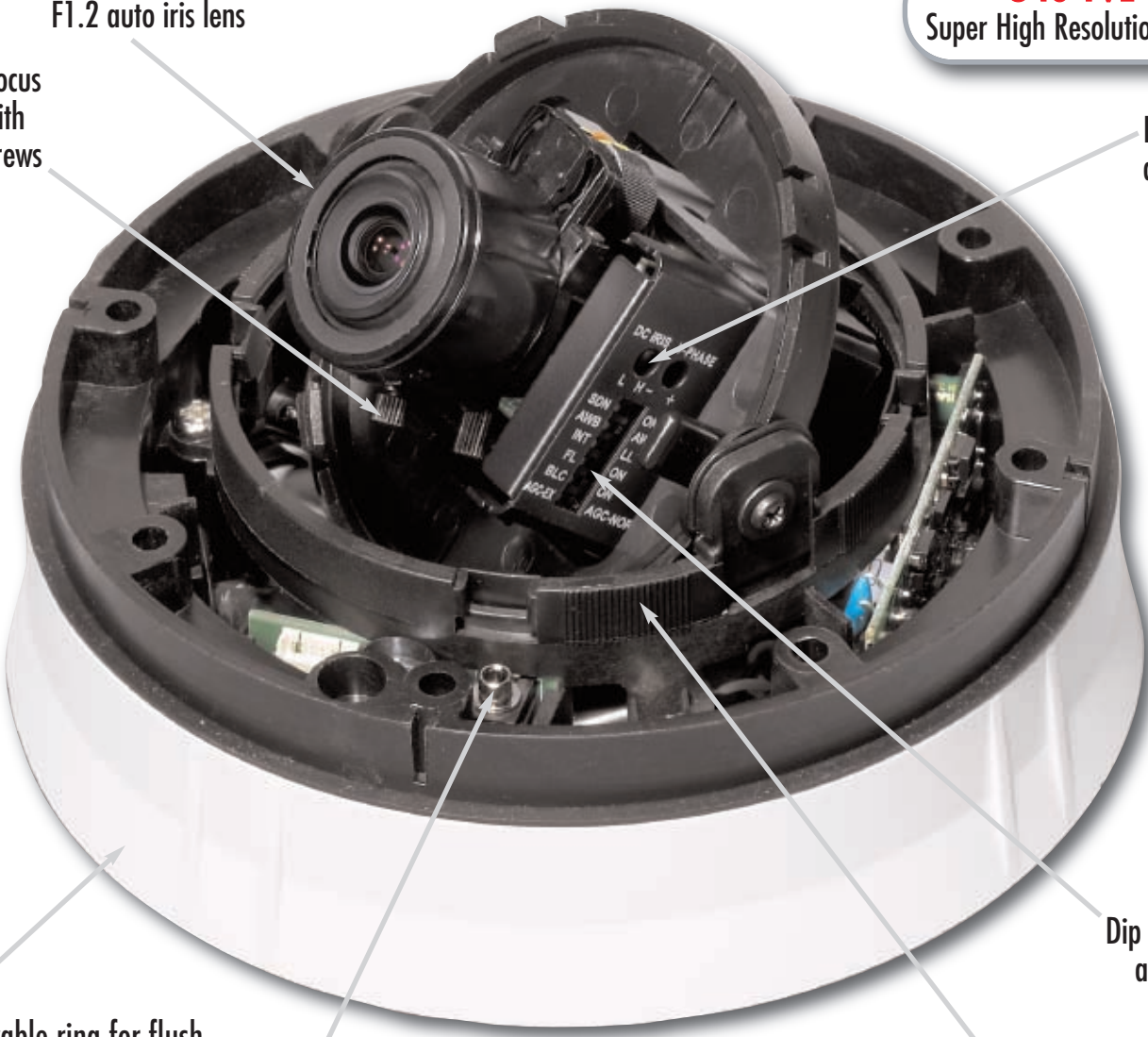
# DOME FEATURES

3-9mm **computar**<sup>®</sup>  
F1.2 auto iris lens

**540 TVL**  
Super High Resolution CCD

Zoom & Focus  
controls with  
locking screws

DC iris level  
adjustment



Removable ring for flush  
mount installations

Service monitor  
cable connection

Outdoor Model Shown

Dip switch setting  
adjustments

Proprietary 3-axis Pan/Tilt  
Rotation mechanism



Optional 5 foot service monitor  
cable for ZC-D4000 Series  
domes - Model No. ZCA-SM400

**GANZ**  
ZC-D4000 Series

# MOUNTING OPTIONS

## Indoor



**SURFACE MOUNT**  
Standard



**FLUSH MOUNT**  
Model No.  
ZC-FM2



**PENDANT MOUNT**  
ZC-PM1  
3/4" NPT pipe attaches directly to the camera base



**WALL MOUNT**  
Model No.  
ZC4-WM1

## Outdoor/Impact-Resistant



**SURFACE MOUNT**  
Standard



**FLUSH MOUNT**  
Standard



**PENDANT MOUNT**  
Model No.  
ZC4-PM2



**WALL MOUNT**  
Accessory Model No.  
ZC4-WM2

The GANZ® ZC-D4000 Series domes offer full-featured performance at an economical price for indoor and outdoor installations. Both models include Digital Day/Night, True Day/Night, and Wide Dynamic Range options. Interior and exterior mounting options include flush mount, pendant mount and wall mount.

## Accessories

|           |   |
|-----------|---|
| ZC-FM2    | Flush Mount Kit   |
| ZC4-PM1   | Pendant Mount Adapter; Mounts to Dome Base & uses 1" NPT Pipe                         |
| ZC4-WM1   | Wall Mount Bracket  |
| ZCA-DCS40 | Tinted Dome Cover Conceals Lens for Discrete Applications (indoor only)               |
| ZC4-PM2   | Pendant Mount Adapter Mounts to the Outdoor Housing Base & Accepts 3/4" Standard Pipe |
| ZC4-WM2   | Outdoor Wall Mount - includes ZC4-PM2 Pendant Mount and Wall Bracket                  |

*Product specifications are subject to change without prior notice.*

# SPECIFICATIONS

|                           | DIGITAL DAY/NIGHT                        | TRUE DAY/NIGHT  | WIDE DYNAMIC RANGE        | OUTDOOR DIGITAL DAY/NIGHT             | OUTDOOR TRUE DAY/NIGHT | OUTDOOR WIDE DYNAMIC RANGE |
|---------------------------|--|-----------------|---------------------------|---------------------------------------|------------------------|----------------------------|
| MODELS                    | ZC-D4039NHA                              | ZC-DN4039NHA    | ZC-DW4039NHA              | ZC-DT4039NHA                          | ZC-DNT4039NHA          | ZC-DWT4039NHA              |
| RESOLUTION (HORIZ.)       | 540 TVL                                  |                 | 520 TVL                   | 540 TVL                               |                        | 520 TVL                    |
| TV SYSTEM                 | NTSC                                     |                 |                           |                                       |                        |                            |
| SCANNING ELEMENT          | 2:1 Interlace, H15.750 KHz/V:59.94 Hz    |                 | -                         | 2:1 Interlace, H15.750 KHz/V:59.94 Hz |                        | -                          |
| IMAGE SENSOR              | 1/3" Interline CCD                       |                 | 1/3" Pixim Sensor         | 1/3" Interline CCD                    |                        | 1/3" Pixim Sensor          |
| EFFECTIVE PICTURE ELEMENT | 768(H) x 494(V)                          |                 | 720(H) x 540(V)           | 768(H) x 494(V)                       |                        | 720(H) x 540(V)            |
| APPROXIMATE PIXELS        | 380 K                                    |                 |                           |                                       |                        |                            |
| MIN. ILLUMINATION         | 1.0 lux @ F1.2                           | 0.08 lux @ F1.4 | 1.3 lux @ F1.2            | 1.0 lux @ F1.2                        | 0.08 lux @ F1.4        | 1.3 lux @ F1.2             |
| S/N RATIO                 | 50 db                                    |                 | >42 db                    | 50 db                                 |                        | >42 db                     |
| WIDE DYNAMIC RANGE        | -  |                 | 120 db/ 17 bit            | -                                     |                        | 120 db/ 17 bit             |
| WIDE DYNAMIC RANGE AREA   | -  |                 | 1 Zone - Fully Adjustable | -                                     |                        | 1 Zone - Fully Adjustable  |
| FRAME INTEGRATION         | -  |                 | Default 2x, max 32x       | -                                     |                        | Default 2x, max 32x        |
| ELECTRONIC SHUTTER        | -  |                 | 1/50 or 1/60-1/100000     | -                                     |                        | 1/50 or 1/60-1/100000      |
| DAY/NIGHT                 | Digital D/N                              | True D/N        | Digital D/N               | Digital D/N                           | True D/N               | Digital D/N                |
| BACK LIGHT COMPENSATION   | Central area for auto iris               |                 | -                         | Central area for auto iris            |                        | -                          |
| EXPOSURE CONTROL          | DC Auto Iris Drive                       |                 |                           |                                       |                        |                            |
| SYNC SYSTEM               | Internal/Line Lock                       |                 |                           |                                       |                        |                            |
| VIDEO OUTPUT              | 1.0 Vpp, 75Ω Unbalanced                  |                 |                           |                                       |                        |                            |
| WHITE BALANCE             | Automatic White Balance                  |                 | ATW, MWB, 1-Touch         | Automatic White Balance               |                        | ATW, MWB, 1-Touch          |
| POWER RANGE               | AC: 24V AC ± 20% or DC: 12V DC -10% +20% |                 |                           |                                       |                        |                            |
| POWER CONSUMPTION         | 4W                                       | 4.3W            | 2.8W                      | 4W                                    | 4.3W                   | 2.8W                       |
| OPERATING TEMPERATURE     | 10° F to 122° F                          |                 |                           | -10° F to 122° F                      |                        |                            |
| STORAGE TEMPERATURE       | -30° F to 140° F                         |                 |                           |                                       |                        |                            |
| EXTERNAL DIMENSIONS       | 4.7" (Dia) x 3.9" (H)                    |                 |                           | 5.5" (Dia) x 3.9" (H)                 |                        |                            |
| WEIGHT                    | 350g / .77 lbs                           | 300g / .66 lbs  |                           | 600g / 1.3 lbs                        |                        |                            |

## LENS SPECIFICATIONS

|                           |               |             |             |             |             |             |
|---------------------------|---------------|-------------|-------------|-------------|-------------|-------------|
| LENS FOCAL LENGTH         | 3-9mm         |             |             |             |             |             |
| MAX. APERTURE             | F1.2          | F1.4        | F1.2        | F1.2        | F1.4        | F1.2        |
| IRIS RANGE                | F1.2 ~ F360   | F1.4 ~ F360 | F1.2 ~ F360 | F1.2 ~ F360 | F1.4 ~ F360 | F1.2 ~ F360 |
| MINIMUM FOCUSING DISTANCE | 0.5 m/19"     |             |             |             |             |             |
| ANGLE OF VIEW (H)         | 90.0° ~ 31.8° |             |             |             |             |             |
| (V)                       | 66.2° ~ 23.9° |             |             |             |             |             |
| LENS TYPE                 | Varifocal     |             |             |             |             |             |

NOTE: Specifications are subject to change without notice