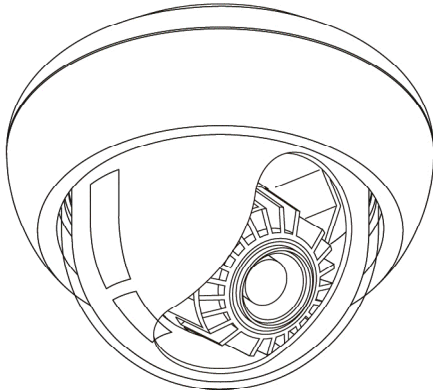




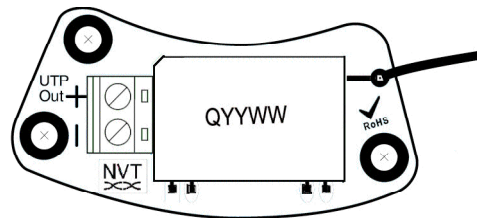
THIS INSTALLATION SHOULD BE MADE BY A QUALIFIED SERVICE PERSON AND SHOULD CONFORM TO ALL LOCAL CODES.



	CAUTION RISK OF ELECTRICAL SHOCK DO NOT OPEN	
<p>CAUTION: TO REDUCE THE RISK OF ELECTRICAL SHOCK, DO NOT REMOVE COVER (OR BACK). NO USER-SERVICABLE PARTS INSIDE. REFER SERVICING TO QUALIFIED SERVICE PERSONNEL.</p>		

Connecting Your Camera

1. Remove Cover as per your Mini Dome Camera Instruction Manual. Inside your camera, next to the Video output terminal you will see the NVT Twisted Pair module. The module is already preconnected to the coax output terminal.



2. Feed your twisted pair wire through the opening at the bottom of the camera body. Attach the twisted pair wires to the terminal block, observing wire color polarity.

Connecting the Monitor End

Possible Receiver Models:

NV-212A, NV-213A, NV-214-M, NV-652R, NV-413A, NV-452R, NV-813A, NV-862"X", NV-1613A, NV-1662"X", NV-3213A or NV-3262"X"

1. Use the correct receiver for the measured wire distance.
2. If the receiver is a model NV-213A, NV-652R, NV-413A, NV-452R, NV-813A, NV-1613A or NV-3213A, **connect the ground screw to the same ground as your other receive end equipment.**
3. If the receiver is a model NV-652R, NV-452R, NV-862"X", NV-1662"X" or NV-3262"X, connect power.
4. Connect your twisted-pair wire to the input of the receiver. Observe polarity. Torque to 5 in-lbs.

If the receiver is a model NV-652R, NV-452R, NV-862"X" or NC-3262"X" the green "Active" LED should have a steady light, indicating that video is present. A flickering light typically means that there is something wrong with the cabling.

5. Connect the baseband video signal from the receiver to the video monitor (or other video equipment, multiplexer, quad, etc.) using a 75 coax cable with a BNC connector.
6. Confirm that your monitor or other receiving equipment is correctly terminated with a single 75 terminator.
7. For best pictures using the NV-652R, NV-452R, NC-1662"X" or NC-3262"X", adjust the distance equalization controls.

Technical Support

For more information concerning NVT Twisted Pair installation on the ZC-D5000 Series models, contact either:

CBC (AMERICA) Corp.

CBC Technical Support is available for consultation from 9AM to 5PM Monday through Friday.

New York Office

Voice: 1.800.422.6707 631.864.9700
 Fax: 631.543.5426

California Office

Voice: 1.800.888.0131 310.793.1500
 Fax: 310.793.1506

Network Video Technologies, Inc.

NVT Support is available for consultation from 8AM to 5:30PM USA Pacific Standard Time Monday through Friday.

Voice: 1.800.959.9870 650.462.8100
 Fax: 650.326.1940

U.K. Branch Office

Voice: 020.8941.2494
 Fax: 020.8941.2861

www.nvt.com

Digital Day/Night Models:

ZC-D5029NHAT WITH 2.9-8.2MM varifocal
 ZC-D5212NHAT WITH 2.8-12MM varifocal
 ZC-D5550NHAT WITH 5-50MM varifocal

True Day/Night Models:



ZC-DN5029NHAT WITH 2.9-8.2MM varifocal
 ZC-DN5212NHAT WITH 2.8-12MM varifocal
 ZC-DN5550NHAT WITH 5-50MM varifocal

Wiring Notes

Wire — The Dos

1. Do use point-to-point Unshielded Twisted Pair wire, gauge 24 or thicker, stranded or solid, Category 2, 3, 4, or 5.
2. The video signal may co-exist in the same wire bundle as other video, telephone, data, control signals, or low-voltage power.
3. Measure the wire distance.

Wire — The Don'ts

1. DO NOT USE SHIELDED TWISTED PAIR WIRE.
2. DON'T USE UN-TWISTED WIRE.
3.  For safety, never put NVT signals in the same conduit as high-voltage wiring.
4.  **WARNING** — to reduce a risk of fire or electrical shock, do not expose this product to rain or moisture.