



Dome Cameras

High Resolution Color Varifocal Dome Camera

MDCH-39NA

Features:

- 3-9mm **computar**[®] auto-iris varifocal lens
- High resolution 540 TVL
- 3-axis manual pan/tilt rotation bracket
- Optical distortion-free dome cover
- Easy installation on wall or ceiling
- 12VDC / 24VAC dual voltage (auto-sensing)
- Includes BNC video cable and power lead



CBC (AMERICA) Corp.

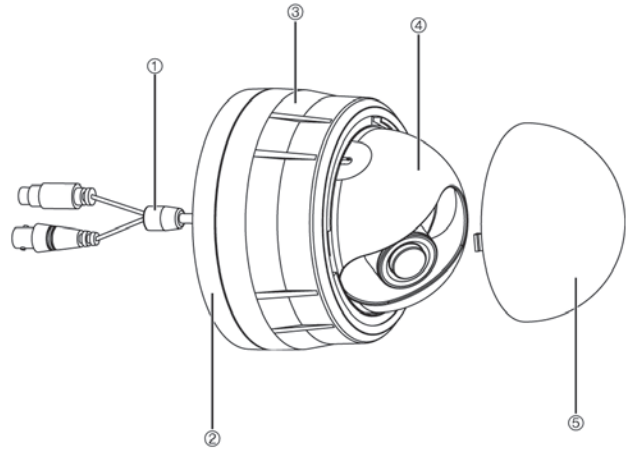
MDCH-39NA

High Resolution Color Varifocal Dome Camera

■ Inside View



■ Outside View



■ Mounting Option



Compatible with Indoor
Pendant Mount

Model: ZC4-PM1

1. BNC Coaxial Video Cable and Power Lead
2. Camera Base
3. Camera Body Cover
4. Inner Dome cover
5. Dome Cover

■ Specifications

Model	MDCH-39NA
Image Sensor	1/3" Color CCD
TV System	NTSC
Scanning System	2:1 Interlace
Camera Resolution	540 TVL
Number Of Pixels	768 (H) x 494 (V)
Video Output	1.0V p-p / 75 Ω
Minimum Illumination	1.0 lux / F1.2 (50 IRE) 0.5 lux / F1.2 (30 IRE)
S/N Ratio	More than 50dB (at minimum ACG gain)
Electronic Shutter	1/60 sec. fixed
Gamma Correction	0.45
White Balance	ATW
SYNC System	Internal/L.L.
Standard Board Lens	3-9mm/F1.2 Auto-iris
Max Aperture Ratio	1: 1.2
Angle Of View	90.3° - 31.9° Horizontal
Power Supply	12V DC / 24V AC ± 10%
Power Consumption	3W (12V DC) or 3W/300mA (24V AC)
Operating Temperature	-4°F ~ 122°F (-20°C ~ 50°C)
Storage Temperature	-4°F ~ 140°F (-20°C ~ 60°C)
Ambient Humidity	85% RH (Operation) / 95% RH (Storage)
External Dimensions	4.72" (Ø) x 4.25" (H)
Weight	1.2lbs / 540g
Accessories	Additional power connector, plastic anchors, self-tapping screws, instruction manual

All specifications are subject to change without notice