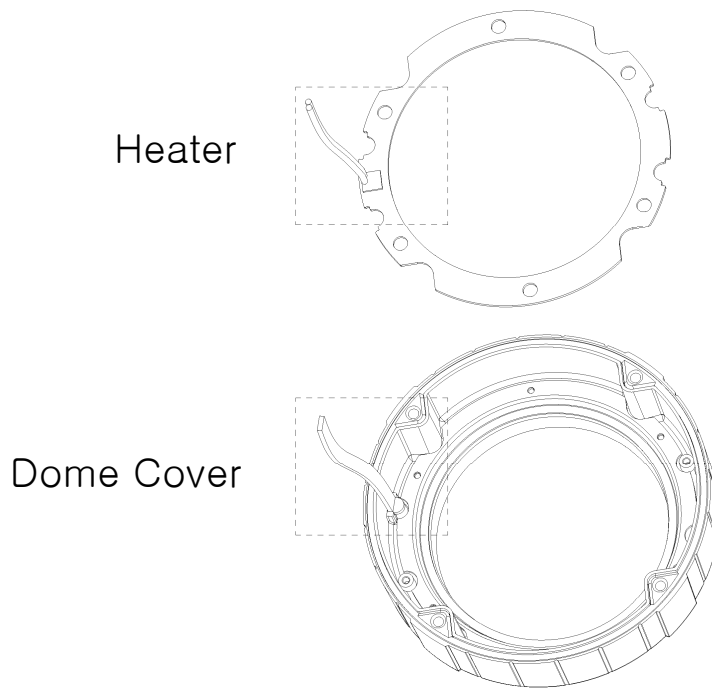
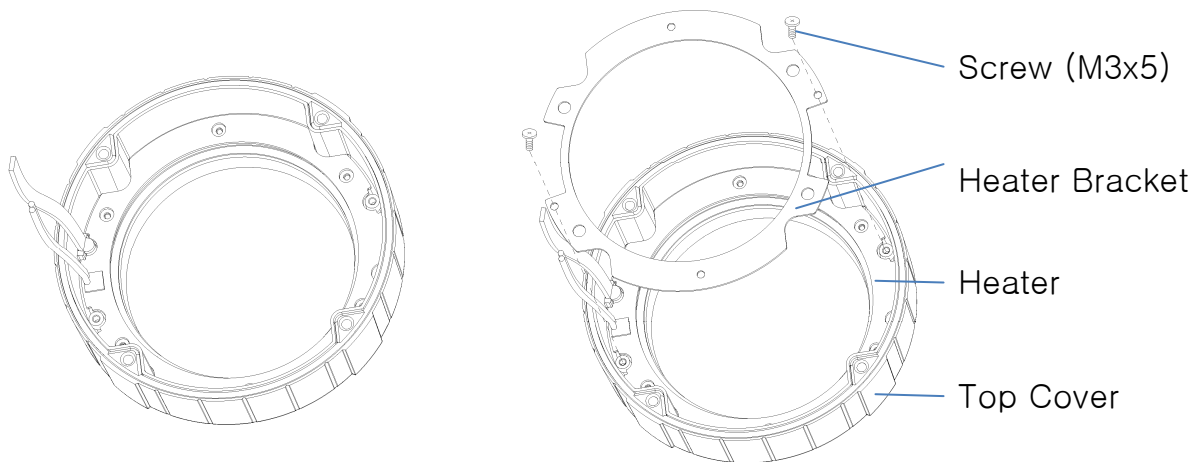


# ZNA-HD HEATER INSTALLATION GUIDE

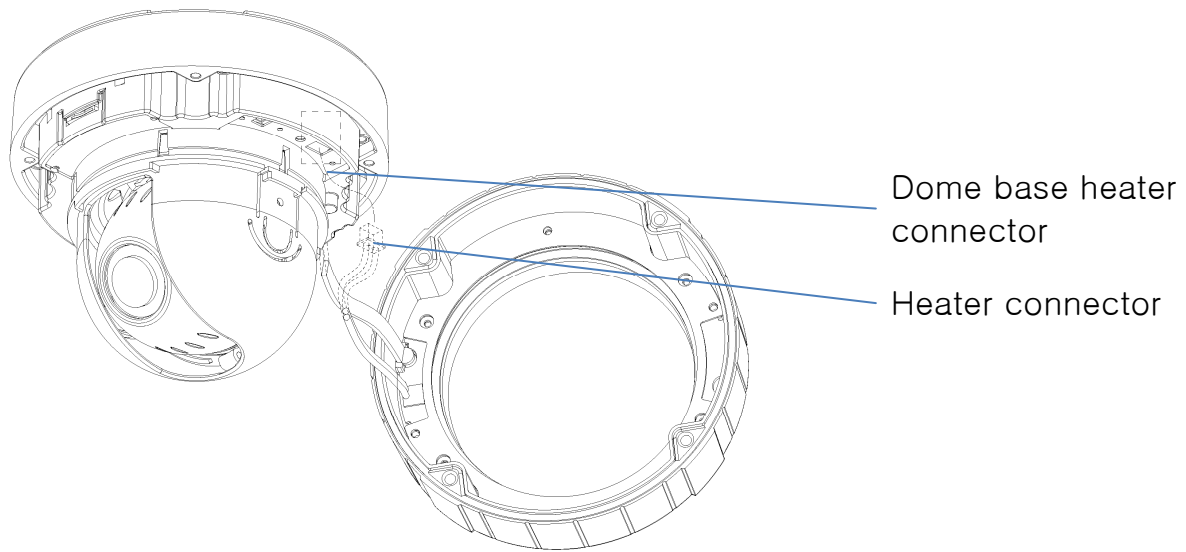


Please check the orientation of the heater.  
The heater wires should be located next to the dome cover safety cable.



Insert heater into the dome cover.

Use the included screws to fasten the heater bracket to the dome cover.



After installing the heater, plug the heater connector to the dome base heater connector.