

CONNECTING the cables

Connect the power and video cables

Connect the video cable from the monitor and the coaxial video cable attached to the camera body

In case of using DC 12V, connect DC jack from camera with power supply (CLASS 2 ONLY) If necessary, after connecting DC jack from Camera to " Additional power connector(Accessory)" connect it with power supply.

In case of using AC 24V, after connecting DC jack from camera to "Additional power connector(accessory)" connect it with power supply (CLASS ONLY 2)

Attention

Specification below is recommended as an Output rated capacity of Power supply that is connected to camera

* DC12V/AC24-DUAL

Input power	voltage	Current
DC 12V	DC 12V±10%	200mA±10% *Optional heater models 600mA±10%
AC 24V	AC 24V ±10%	250mA±10% *Optional heater models 400mA±10%

* DC12V-Single(optional)

Input power	voltage	Current
DC 12V	DC 12V±10%	200mA±10% *Optional heater models 450mA±10%

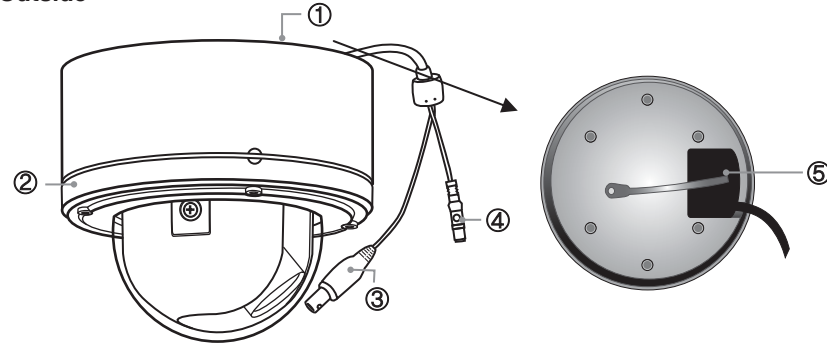
Attention

Be sure to check that the cables are connected correctly before turning on the power.

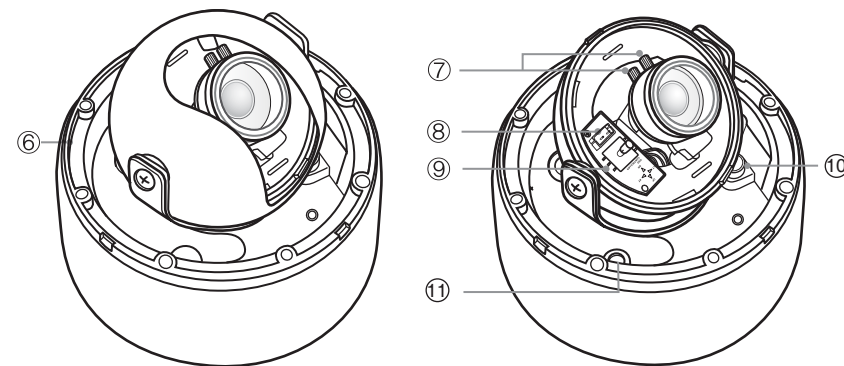
Turning on the power when the cables are connected with incorrect polarity may damage the camera .

PART DESCRIPTION

Outside



Inside



* Unscrew the 4 fixing screws with the L-type tool provided before removing the dome cover to open the unit for adjustments. Once adjusted, fix the dome cover to the dome base until it seals tightly using the 4 fixing screws, and refrain from opening and closing frequently to ensure the best water-proof and condensation free performance.

1. Bottom Cover
2. Top Cover
3. Video Output Connector
4. Power Input Jack
5. Elastic Band for Easy installation
6. Middle Cover
7. Focus and View Angle Adjust Lever
8. Service Jack Socket
9. Multi Tact Switch
10. Breakable hole for UTP Cable
11. Breakable 4 Holes for Gang box

OPTIONS

Please contact your dealers for more details of the following options.

1. Heater
2. UTP Board (ZCA-UP8)
3. Service Monitor Cable (ZCA-SM8)
4. Pendant Mount (ZCA-PM8T)
5. Mounting Adaptor Ring (ZCA-FM8T)
6. Lens variations
7. DC12VSingle-Voltage models

MODEL

Lens Specification				Models (Standard DC12/AC24V Dual-Voltage)	
Focal Length	D/N	Aperture	View Angle	NTSC	PAL
3-9mm	Digital	1:1.2~2.1	90~31.8	ZC-DT8039NBA	ZC-DT8039PBA
	True	1:1.4~2.4		ZC-DNT8039NBA	ZC-DNT8039PBA
3.3-12mm	Digital	1:1.4~2.9	89.8~23.9	ZC-DT8312NBA	ZC-DT8312PBA
	True			ZC-DNT8312NBA	ZC-DNT8312PBA
2.5-6mm	Digital	1:1.2-1.8	111.6-47.3	ZC-DT8026NBA	ZC-DT8026PBA
	True			ZC-DNT8026NBA	ZC-DNT8026PBA
9-22mm	Digital	1:1.4-1.6	32.1-13.1	ZC-DT8922NBA	ZC-DT8922PBA
	True			ZC-DNT8922NBA	ZC-DNT8922PBA

* Optional DC12V Single-Voltage models : suffix "S" to the above model names(such as ZC-DT8039PBAS)

* Optional Heater models : suffix "-H" to the above model names(such as ZC-DT8039PBA-H)

⚠ Attention Ensure to push the deflected video-power cable into the housing properly to avoid the cable to get either interfered by the 3D gimbal or damaged when closing the Top Cover

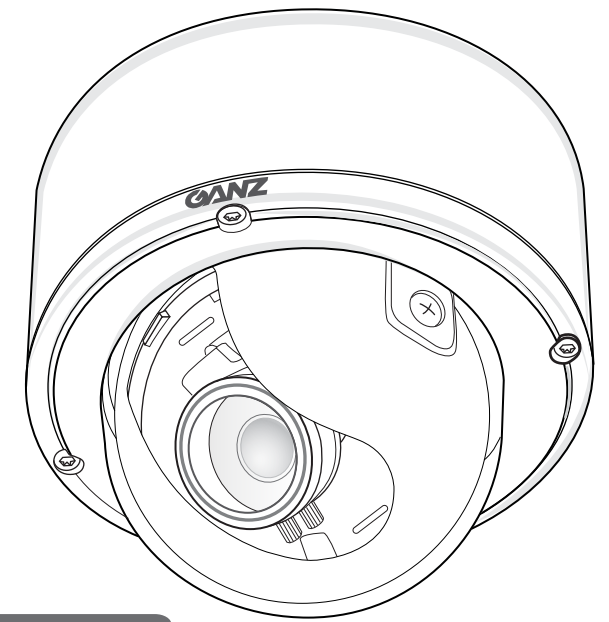
PRODUCT FEATURES

- 1/3" SONY Super HAD-II CCD
- Built-in "COMPUTAR®" Vari-Focal Lens
- True or Digital Day & Night
- Auto-sensing DC12V/AC24V Dual-Voltage Operation(standard), or DC12V Single-Voltage Operation(optional)
- Digital WDR(Wide Dynamic Range)
- Back Light Compensation
- High Light Compensation
- Motion Detection
- Privacy Masking
- 2D Digital Noise Reduction (2DNR)
- Lens Shading Compensation
- Low Power Consumption
- Multi Tact Switch for OSD control

OUTDOOR COLOR CAMERA

ZC-DT8000 SERIES

INSTRUCTION MANUAL



600TVL High Resolution

Color / Day & Night



ENGLISH

Edit : ZC-DT8000-600-B-U_071211_V1



English

Disposal of your old appliance

1. When this crossed-out wheeled bin symbol is attached to a product it means the products covered by the European Directive 2002/96/EC. 2. All electrical and electronic products should be disposed of separately from the municipal waste stream via designated collection facilities appointed by the government or the local authorities. 3. The correct disposal of your old appliance will help prevent potential negative consequences for the environment and human health. 4. For more detailed information

About disposal of your old appliance, please contact your city office, waste disposal service or the shop where you purchased the product.

Franais/French

Élimination de votre ancien appareil

1. Ce symbole, représentant une poubelle sur roulettes barrée d'une croix, signifie que le produit est couvert par la directive européenne 2002/96/EC. 2. Tous les produits électriques et électroniques doivent être éliminés séparément de la chaîne de collecte municipale des ordures, par l'intermédiaire des installations de collecte prescrites et désignées par le gouvernement ou les autorités locales. 3. Une élimination conforme aux instructions aidera à réduire les conséquences négatives et risques éventuels pour l'environnement et la santé humaine. 4. Pour plus d'informations concernant l'élimination de votre ancien appareil, veuillez contacter votre mairie, le service des ordures ménagères ou encore le magasin où vous avez acheté ce produit.

Deutsch/German

Entsorgung von Altgeräten

1. Wenn dieses Symbol eines durchgestrichenen Abfallbehälters auf einem Produkt angebracht ist, unterliegt dieses Produkt der europäischen Richtlinie 2002/96/EC. 2. Alle Elektro- und Elektronik-Altgeräte müssen getrennt vom Hausmüll über die dafür staatlich vorgesehenen Stellen entsorgt werden. 3. Mit der ordnungsgemäßen Entsorgung des alten Geräts vermeiden Sie Umweltschäden und eine Gefährdung der rsnlichen Gesundheit. 4. Weitere Informationen zur Entsorgung des alten Geräts erhalten Sie bei der Stadtverwaltung, beim Entsorgungsamt oder in dem Geschäft, wo Sie das Produkt erworben haben.

Italiano/Italian

RAEE: SMALTIMENTO DELLE VOSTRE VECCHIE APPARECCHIATURE

1. Quando il simbolo del "Cassonetto Barrato" è apposto su un prodotto, significa che lo stesso può ricadere nei termini previsti dalla Direttiva Europea nr. 2002/96/EC in funzione dell'attuazione definita dalla Legislazione dei singoli stati membri dell'Unione Europea. 2. Tutti i prodotti elettrici ed elettronici dovrebbero essere smaltiti separatamente dai rifiuti municipali, tramite appositi contenitori, approvati dall'Amministrazione Comunale o dalle Autorità Locali. 3. Il corretto smaltimento delle vostre vecchie apparecchiature, contribuirà a prevenire possibili conseguenze di impatto egativo sull'ambiente e per la salute dell'uomo. 4. Per maggiori informazioni circa lo smaltimento delle vostre vecchie apparecchiature, siete pregati di contattare l'ufficio municipale della vostra città, il servizio di smaltimento rifiuti o il punto vendita nel quale avete acquistato il prodotto.

Polski/Polish

Utylizacja starych urządzeń

1. Kiedy do produktu dołączony jest niniejszy przekreślony symbol kołowego pojemnika na śmieci, oznacza to, że produkt jest objęty europejską dyrektywą 2002/96/EC. 2. Wszystkie elektryczne i elektroniczne produkty powinny być utylizowane niezależnie od odpadów mieszkaniowych, przy wykorzystaniu do tego miejsc składowaniawskazanych przez rząd lub miejscowe władze. 3. Właściwy sposób utylizacji staryego urządzenia pomoże zapobiec potencjalnie negatywnemu wpływowi na zdrowie i środowisko. 4. Aby uzyskać więcej informacji o sposobach utylizacji starych urządzeń, należy skontaktować się z władzami lokalnymi, przedsiębiorstwem zajmującym się utylizacją odpadów lub sklepem, w którym produkt zostałakupiony.

Portugu s/Portuguese

Eliminação do seu antigo aparelho

1. Quando este símbolo de latao cruzado estiver afixado a um produto, significa que o produto é abrangido pela Directiva Europeia 002/96/EC. 2. Todos os produtos eléctricos e electrónicos devem ser eliminados separadamente da coleta de lixo municipal através de pontos de recolha designados, facilitados pelo governo ou autoridades locais. 3. A eliminação correcta do seu aparelho antigo ajuda a evitar potenciais consequências negativas para o ambiente e para a saúde humana. 4. Para obter informações mais detalhadas acerca da eliminação do seu aparelho antigo, contacte as autoridades locais, um service de eliminação de resíduos ou a loja onde comprou o produto.

Espa ol/Spanish

Cómo deshacerse de aparatos eléctricos y electrónicos viejos

1. Si en un producto aparece el símbolo de un contenedor de basura tachado, significa que éste se acoge a la Directiva 2002/96/EC. 2. Todos los aparatos eléctricos o electrónicos se deben deschar de forma distinta del servicio municipal de recogida de basura, a través de puntos de recogida designados por el gobierno o las autoridades locales. 3. La correcta recogida y tratamiento de los dispositivos inservibles contribuye a evitar riesgos potenciales para el medio ambiente y la salud pública. 4. Para obtener más información sobre cómo deshacerse de sus aparatos eléctricos y electrónicos viejos, póngase en contacto con su ayuntamiento, el servicio de recogida de basuras o el establecimiento donde adquirió el producto.



CBC Co., Ltd
Tokyo, Japan
www.GANZ.jp

SPECIFICATION

TV System	NTSC	PAL
Scanning System	2 : 1 Interface	
Image Sensor	1/3" Type Inter line transfer CCD(Sony HAD II CCD)	
Effective Elements	768(H) x 494(V)	752(H) x 582(V)
Scanning Frequency	15.734kHz(H) x 59.94Hz(V)	15.625kHz(H) x 50.00Hz(V)
Video Output	1.0Vp-p/75Ω	
Horizontal Resolution	More than 600 TVL	
Minimum Illumination(F1.4)	D-DN:0.4lx T-DN:0.04lx	
Day/Night	Digital or True Day/ Night	
S/N Ratio	More than 50dB(at minimum AGC gain)	
Gamma Characteristic	0.45	
Sync. System	Internal only	
Electronic Shutter	1/60 sec. FLK. 1/60 - 1/100,000(Selectable)	1/50 sec. FLK. 1/50 - 1/100,000(Selectable)
White Balance	ATW1, ATW2, AWC, Manual (Selectable)	
Power Supply	AC	AC24V±10%60Hz±1Hz
	DC	AC24V±10%50Hz±1Hz
Power Consumption	DC12V/ AC24V-DUAL	2.5 Watt (AC24V), 1.8 Watt (DC12V) *Optional Heater models 5.5 Watt(AC24V), 6.2 Watt(DC12V)
	DC12V-Single (optional)	1.1 Watt *Optional Heater models 4.7 Watt
Ambient Temperature	Operation : -10°C to +50°C / Storage : -20°C to +60°C *Optional Heater models Operation : -40°C to +50°C / Storage : -20°C to +60°C	
Ambient Humidity	Operation : Max. 85%RH / Storage : Max. 95%RH	
External Dimensions	148mm (W) X 128 mm (H)	
Weight	Approx. 1 kg	
Switches	Multi Tact Switch for OSD control	
Accessories	Self-tapping Screw : 3ea, Template : 1ea, Wrench : 1ea, Instruction Manual : 1ea, Additional Power Connector: 1ea	

⚠ Attention : Ensure to check your model name (specified in Box Label / Unit Label) and its Voltage Type whether it is a DC12V/AC24V Dual-Voltage (standard) or DC12V Single-Voltage (optional)

※ The specifications and/or appearance of the product may change without a prior notice

Thank you for your purchase of this product. Before operating the product, please read this instruction manual carefully to ensure proper use of the product. Please store this instruction manual in a safe place for future reference.

SAFETY PRECAUTIONS

The installation should be made by a qualified service person and should conform to all local codes.

⚠ WARNING
This symbol indicates that there is a possibility of death or damage to operator or others. To prevent fire or electric shock, do not expose this product to rain or moisture.

⚠ CAUTIONS
This symbol indicates that there is a possibility of injury or damage to equipment.

- (1) Use only 24V AC power supply marked class 2 or +12V DC regulated power supply marked class 2.
- (2) To prevent fire or electrical shock, UL listed class 2 wiring should be used for the 12V DC or 24V AC input terminal.
- (3) Be sure to connect each lead to the appropriate terminal, wrong connection may cause malfunction and/or damage to the camera.
- (4) Do not attempt to aim the camera at the sun or other extremely bright objects that cause smear to appear irrespective of whether the camera is operating or not. This can damage the CCD (Charge Coupled Device).
- (5) Do not place the camera in the following locations.
 - ① Locations subject to extremely high or low temperatures.
(Operating temperature range : -10°Cto +50°C (-4°F to 122°F)
*Optional Heater models -40°Cto +50°C (-40°F to 122°F)
(Storage temperature range : -20°Cto +60°C (-4°Fto 140°F))
 - ② Locations where there are large amounts of water vapor and steam.
- (6) Ensure the location selected is sufficiently strong enough to support the weight of the camera and is free from vibration.
- (7) When this camera is installed near equipment that emits a strong electromagnetic field, some irregularity such as noise on the monitor screen may happen.
- (8) Be sure to use screws suitable for the type of material to which the camera is being mounted.
- (9) Do not allow the camera to be subjected to strong impacts or shocks. The camera could be damaged by improper handling or storage.
- (10) Never attempt to disassemble or mod
- (11) If an abnormality should occur, immediately turn off the power and consult your dealer.

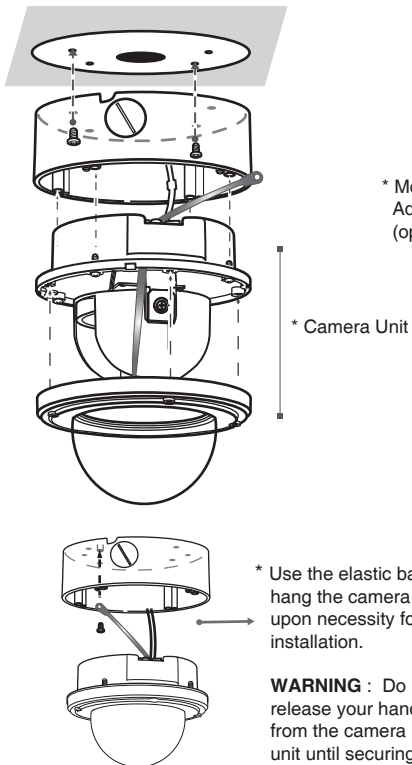
This device complies with Part 15 of the FCC Rules. Operation is subject to following two conditions:(1)this device may not cause harmful interference.(2) this device must accept any i cause undesired operation received, including interference that may cause undesired operation



The CE Marking is a Directive Conformity mark of the European Union(EU)

INSTALLATION

Surface mount



Attention

Please use fixing screws suitable for the material of the ceiling or wall when attaching the camera body. The mounting screws provided are not recommended to use at a conditions.

* Surface mount

This section explains how to install the unit where cables are running through the interior of the ceiling or wall.

1. Drilling holes in the ceiling or wall: Use the template included to mark out the position on the ceiling or wall where you want to install the unit.
2. When running cables through the interior of the ceiling or wall : Use the template, and drill two or three holes for screws used to attach the camera body and one hole for the cables (Cables).

* Flush mount

- Embedding in the ceiling or wall

Be sure to use the Mounting Adaptor Ring when embedding the unit in the ceiling or wall

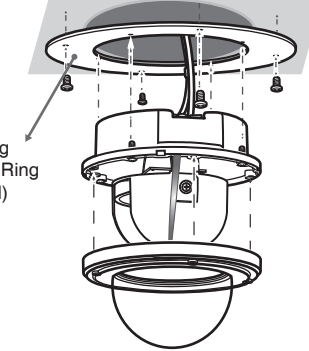
1. Drilling holes in the ceiling or wall : Use the template included to mark out the position on the ceiling or wall where you want to install the unit.* Use the template, drill 4 holes for screw used to attache the Mounting Adaptor Ring. Then, follow the perforations on the template and cut out a hole to embed the camera body.
2. Attaching the Mounting Adaptor ring : Attach the adaptor ring to the ceiling or wall to which you want to attach the camera body. Please use fixing screws suitable for the material of the ceiling or wall when attaching the camera body. We recommend using screws with a 4mm diameter.
3. Attaching the camera body : Remove the surface mount cover from the camera body. Remove the body cover and attached camera body to the Mounting Adapter Ring.

- Attaching to gangbox

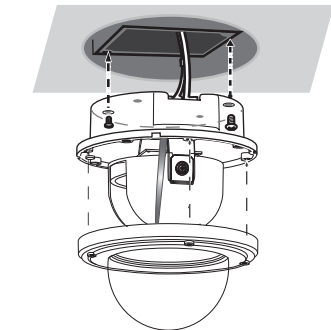
1. Remove the surface mount cover from the camera body.
2. Attaching the camera body : Attach the camera body to the gangbox. Please use screws that are suitable for the gang box. (Use breakable holes on the camera body bottom)

Flush mount

(embedding in ceiling or wall)



(Attaching to a gang box)

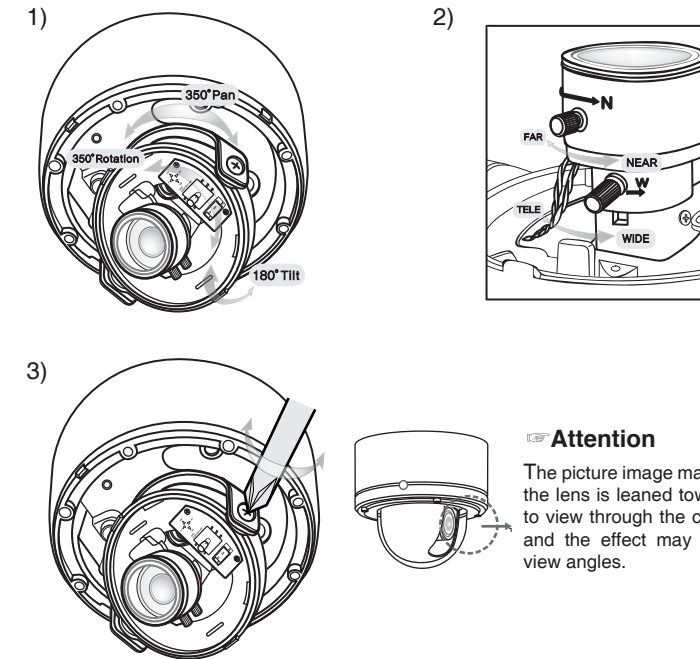


ADJUSTMENT

1. Direction and Lens

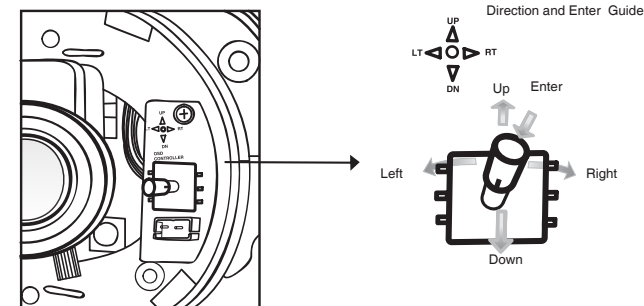
The camera body is set in a tri-axial mounting allowing movement in the pan, tilt and rotational planes.

- 1) Adjust the direction of the lens so it faces the subject
- 2) Move the lever to adjust focus and angle of view
- 3) When you finished adjusting the direction of the lens, tighten the locking screw with a screwdriver.



2. OSD Switch and OSD Menu

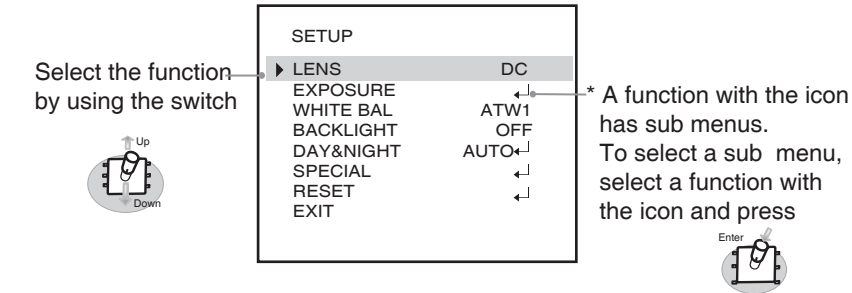
Use the Multi Tact Switch within the camera



OSD MENU FUNCTION	
LENS	DC MANUAL
EXPOSURE	SHUTTER BRIGHTNESS AGC DWDR
WHITE BAL	ATW1 ATW2 AWC -> SET MANUAL
BACKLIGHT	OFF BLC HLC
DAY&NIGHT	AUTO COLOR B/W EXT
SPECIAL	CAM TITLE MOTION PRIVACY IMAGE ADJ DPC LANGUAGE VERSION
RESET	FACTORY
EXIT	

* START SET UP MENU

Press the Middle Multi Tact Switch, the main setup menu is displayed on the monitor screen



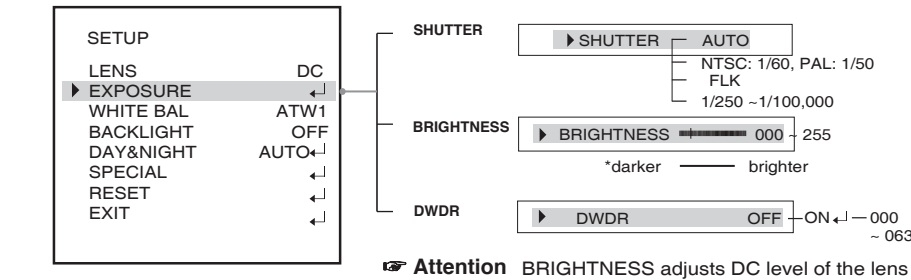
1) LENS

Turn the Switch toward Left or Right side, Select DC or MANUAL

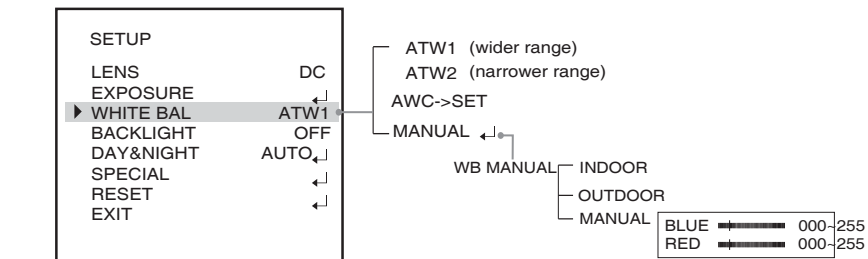
* Simply make the adjustment in the following order to help make the focusing easier:

- Select MANUAL
- Adjust lens focus well
- Then return to DC

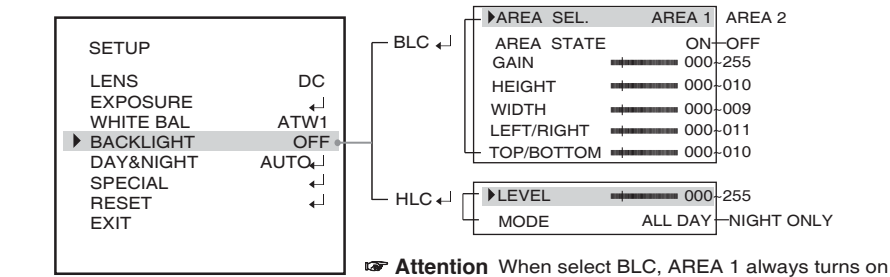
2) EXPOSURE



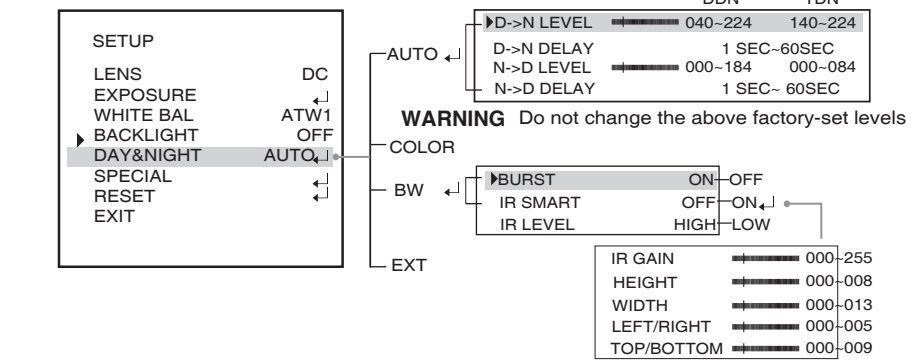
3) WHITE BALANCE



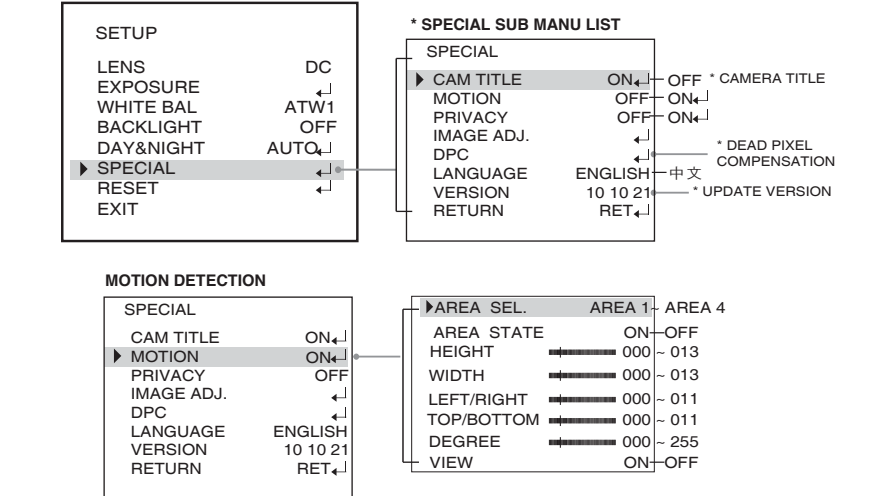
4) BACKLIGHT



5) DAY&NIGHT



6) SPECIAL



PRIVACY MASKING

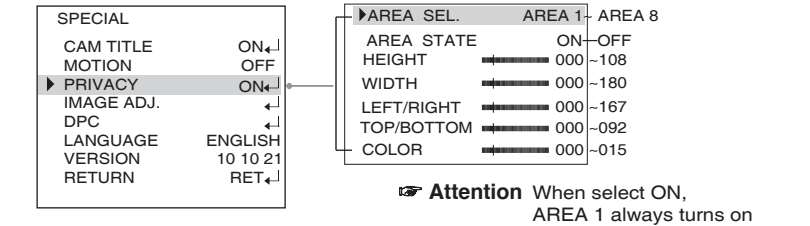
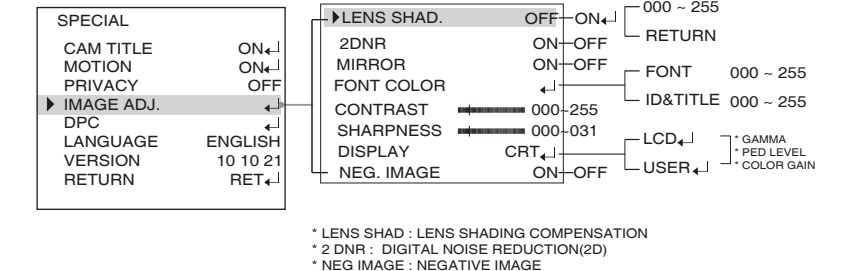


IMAGE ADJUST



7) RESET & EXIT

