



Inside View (HP-3)

Accessories & Kits

Network Camera Housing Series

HP Series

The HP Series camera housings offer an installer-friendly design with side opening access to the camera bay, simplifying installation and camera servicing. The optional feed-through mount conceals power and video cables.

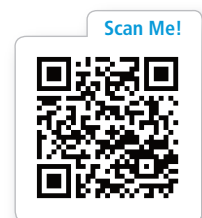
The housing features a glass viewing window for optical clarity. The PoE splitter powers the housing with a single network cable making this an ideal enclosure for high-megapixel IP cameras.

Features:

- IP Camera Ready with glass viewing window for optical clarity
- Installer-friendly side opening design
- Sunshield included, heater and blower options
- Feed-through mount accessory
- Powers IP camera, heater and blower over a single network cable



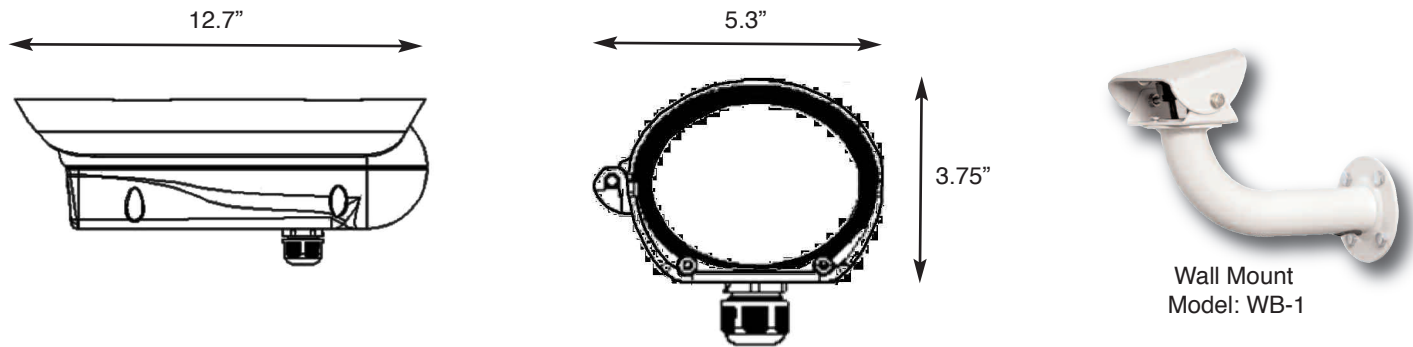
CBC AMERICA Corp.



HP Series

Network Camera Housing Series

Dimensional Views



Specifications

Model	HP-1	HP-2	HP-3
Image Picture Element	Housing with Sunshield	Housing, PoE, Heater, with Sunshield	Housing, PoE, Heater, Blower, with Sunshield
Environment	Indoor / Outdoor		
Housing Type	Side Opening		
Sunshield	Included		
Cable Entry	1 x Liquid-tight fitting, 3-cable sealing grommet		
Cable Management Bracket	Sold separately (WB-1)		
Input Voltage	Terminal Block	12VDC / PoE (802.3af)	
Power Consumption	5W Heater, <2W Blower		
Operating Temperature	-22° F ~ 122° F		
Internal Temperature	Same as ambient	-14° F ~ 32° F: ambient +9° F -22° F ~ -14° F: ambient +18° F	
Thermostat	-	On: 41° F (±9° F) Off: 59° F (±9° F)	
Construction	Aluminum with UV protected powder coat paint (gray)		
Internal Dimensions	6.9" L x 2.8" W x 3" H (176mm x 70mm x 75mm)		
External Dimensions	12.7" L x 5.3" W x 3.8" H (322mm x 136mm x 95mm)		
IP Rating	IP66		

All specifications are subject to change without notice